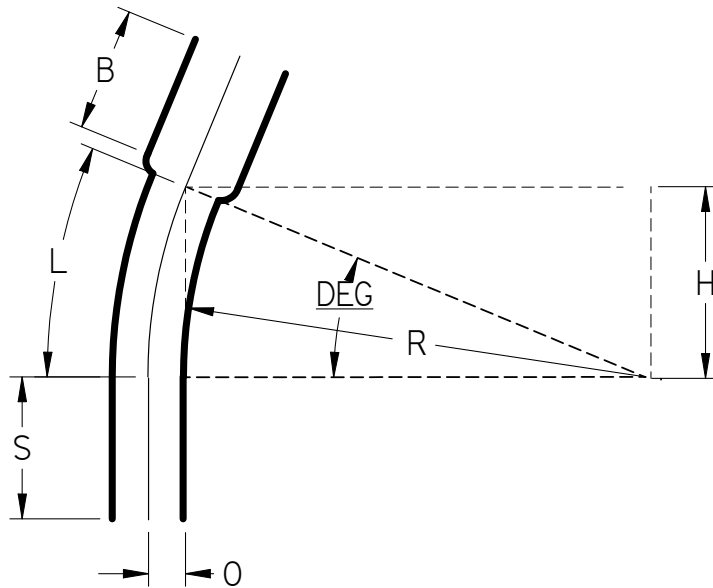


| Part Number | Size   | Deg   | R  | O    | H     | S Min | B Min | L      |
|-------------|--------|-------|----|------|-------|-------|-------|--------|
| 23910       | 1"     | 22.5° | 36 | 2.75 | 13.75 | 1.875 | 1.5   | 14.125 |
| 23912       | 1 1/4" | 22.5° | 36 | 2.75 | 13.75 | 2     | 2     | 14.125 |
| 23915       | 1 1/2" | 22.5° | 36 | 2.75 | 13.75 | 2     | 1.375 | 14.125 |
| 24020       | 2"     | 22.5° | 36 | 2.75 | 13.75 | 2     | 1.75  | 14.125 |
| 24025       | 2 1/2" | 22.5° | 36 | 2.75 | 13.75 | 3     | 3     | 14.125 |
| 24030       | 3"     | 22.5° | 36 | 2.75 | 13.75 | 3.125 | 2.875 | 14.125 |
| 24035       | 3 1/2" | 22.5° | 36 | 2.75 | 13.75 | 3.25  | 3.125 | 14.125 |
| 24040       | 4"     | 22.5° | 36 | 2.75 | 13.75 | 3.375 | 3.375 | 14.125 |
| 24050       | 5"     | 22.5° | 36 | 2.75 | 13.75 | 3.625 | 4     | 14.125 |
| 24060       | 6"     | 22.5° | 36 | 2.75 | 13.75 | 3.75  | 5     | 14.125 |



UL Listed 651  
 NEMA TC3  
 See NEC Article 352 for Usage



22.5° Elbows Belled End Schedule 40 36" Radius

UNLESS OTHERWISE SPECIFIED  
 DIMENSIONS ARE IN INCHES  
 ANGLES ±2.0°

|                                     | NAME        | DATE     |
|-------------------------------------|-------------|----------|
| DRAWN                               | K. Mitchell | 03/28/13 |
| CHECKED                             |             |          |
| ENG APPR                            |             |          |
| FILE: 22.5 DEG SCH 40 36 RAD BE.dwg | REV         | 10       |