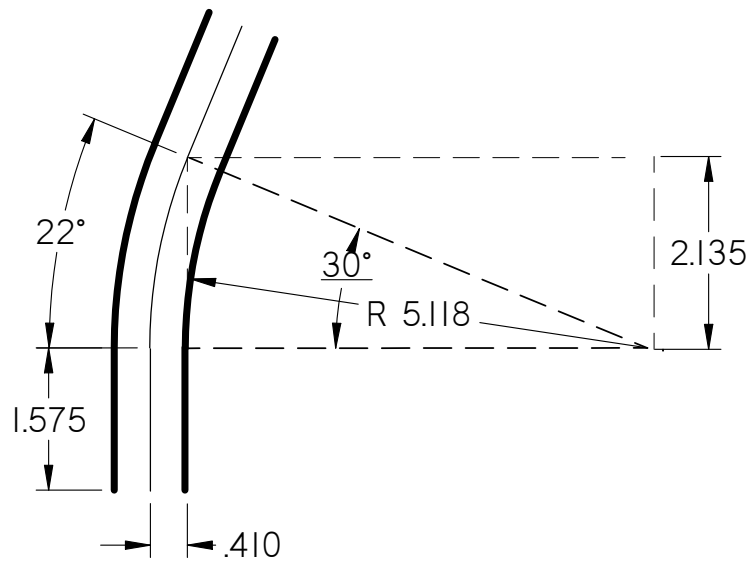
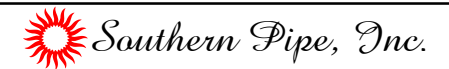


Part Number	Size	Deg	R	O	H	S Min	L
44010	1"	22.5°	36	2.75	13.75	1.875	14.125
44012	1 1/4"	22.5°	36	2.75	13.75	2	14.125
44015	1 1/2"	22.5°	36	2.75	13.75	2	14.125
44020	2"	22.5°	36	2.75	13.75	2	14.125
44025	2 1/2"	22.5°	36	2.75	13.75	3	14.125
44030	3"	22.5°	36	2.75	13.75	3.125	14.125
44035	3 1/2"	22.5°	36	2.75	13.75	3.25	14.125
44040	4"	22.5°	36	2.75	13.75	3.375	14.125
44050	5"	22.5°	36	2.75	13.75	3.625	14.125
44060	6"	22.5°	36	2.75	13.75	3.75	14.125



Ⓢ Listed 651
 NEMA TC3
 See NEC Article 352 for Usage



22.5° Elbows Plain End Schedule 40 36" Radius

UNLESS OTHERWISE SPECIFIED
 DIMENSIONS ARE IN INCHES
 ANGLES ±2.0°

	NAME	DATE
DRAWN	K. Mitchell	04/01/13
CHECKED		
ENG APPR		
FILE: 22.5 DEG SCH 40 36 RAD PE.dwg		REV 10