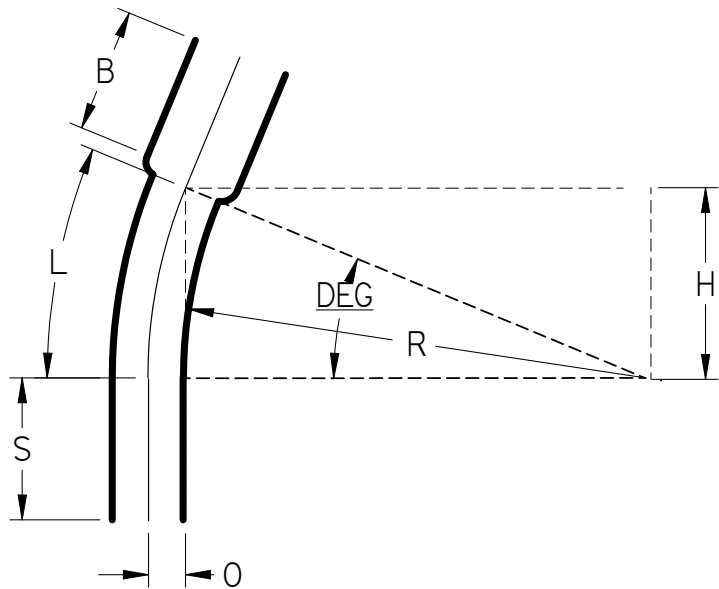


Part Number	Size	Deg	R	O	H	S Min	B Min	L
29720	2"	22.5°	60	4.5625	23	2	1.75	23.5625
29740	4"	22.5°	60	4.5625	23	3.375	3.375	23.5625
29750	5"	22.5°	60	4.5625	23	3.625	4	23.5625
29760	6"	22.5°	60	4.5625	23	3.75	5	23.5625



UL Listed 651
 NEMA TC3
 See NEC Article 352 for Usage



22.5° Elbows Belled End Schedule 40 60" Radius

UNLESS OTHERWISE SPECIFIED
 DIMENSIONS ARE IN INCHES
 ANGLES ±2.0°

	NAME	DATE
DRAWN	K. Mitchell	03/28/13
CHECKED		
ENG APPR		
FILE: 22.5 DEG SCH 40 60 RAD BE.dwg	REV	10