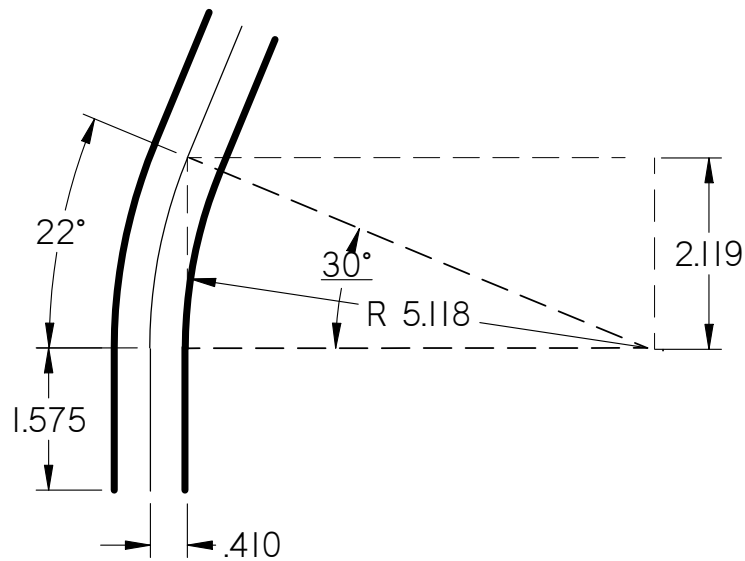
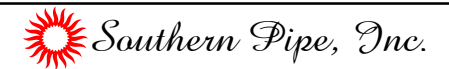


Part Number	Size	Deg	R	O	H	S Min	L
40920	2"	22.5°	60	4.5625	23	2	23.5625
40940	4"	22.5°	60	4.5625	23	3.375	23.5625
40950	5"	22.5°	60	4.5625	23	3.625	23.5625
40960	6"	22.5°	60	4.5625	23	3.75	23.5625



Ⓢ Listed 651
 NEMA TC3
 See NEC Article 352 for Usage



22.5° Elbows Plain End Schedule 40 60" Radius

UNLESS OTHERWISE SPECIFIED
 DIMENSIONS ARE IN INCHES
 ANGLES ±2.0°

	NAME	DATE
DRAWN	K. Mitchell	04/01/13
CHECKED		
ENG APPR		
FILE: 22.5 DEG SCH 40 60 RAD PE.dwg		REV 10