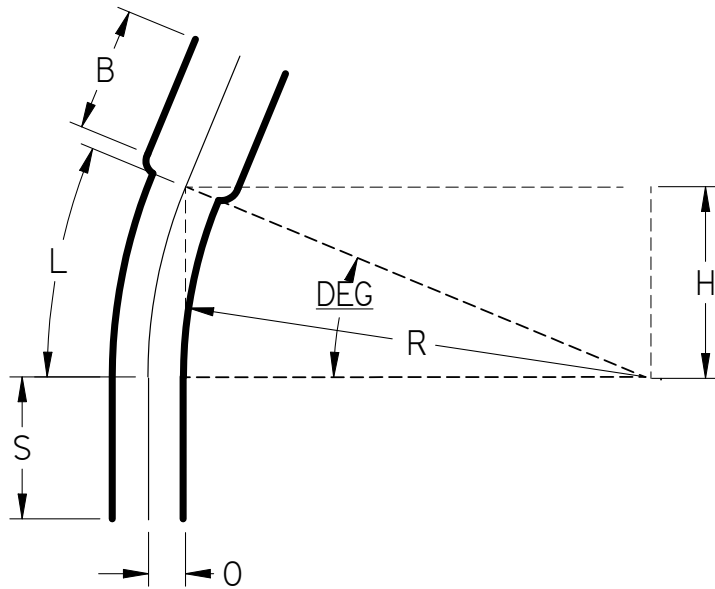


Part Number	Size	Deg	R	O	H	S Min	B Min	L
50935	3 1/2"	22.5°	18	1.375	6.875	3.25	3.125	7.0625



UL Listed 651
 NEMA TC3
 See NEC Article 352 for Usage



22.5° Elbows Belled End Schedule 40 18" Radius

UNLESS OTHERWISE SPECIFIED
 DIMENSIONS ARE IN INCHES
 ANGLES ±2.0°

	NAME	DATE
DRAWN	K. Mitchell	03/28/13
CHECKED		
ENG APPR		
FILE: 22.5 DEG SCH 80 18 RAD BE.dwg	REV	10