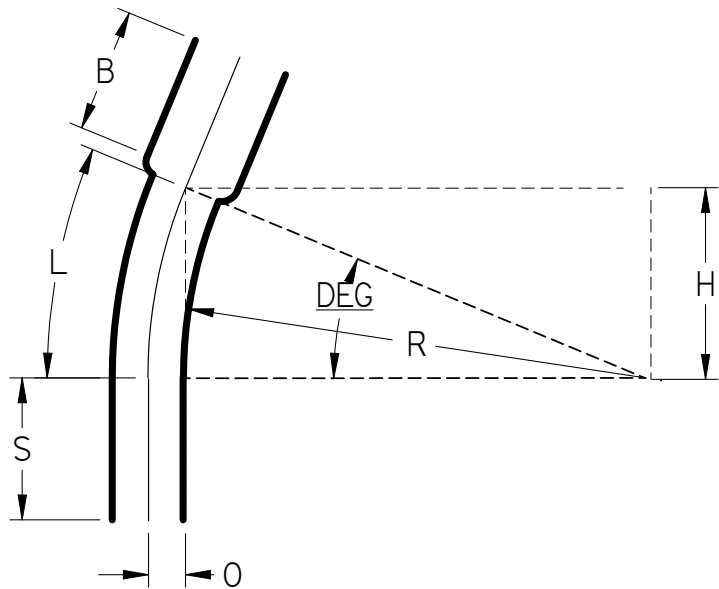


Part Number	Size	Deg	R	O	H	S Min	B Min	L
59020	2"	22.5°	36	2.75	13.75	2	1.75	14.125
59060	6"	22.5°	36	2.75	13.75	3.75	5	14.125



UL Listed 651
 NEMA TC3
 See NEC Article 352 for Usage



22.5° Elbows Belled End Schedule 40 36" Radius

UNLESS OTHERWISE SPECIFIED
 DIMENSIONS ARE IN INCHES
 ANGLES ±2.0°

	NAME	DATE
DRAWN	K. Mitchell	03/28/13
CHECKED		
ENG APPR		
FILE: 22.5 DEG SCH 80 36 RAD BE.dwg	REV	10