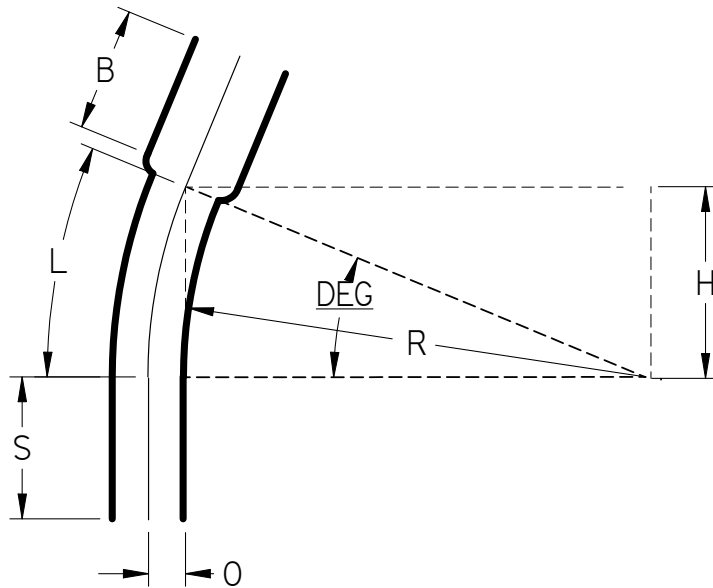


Part Number	Size	Deg	R	O	H	S Min	B Min	L
64320	2"	22.5°	36	2.75	13.75	2	1.75	14.125
64330	3"	22.5°	36	2.75	13.75	3.125	2.875	14.125
64340	4"	22.5°	36	2.75	13.75	3.375	3.375	14.125
64350	5"	22.5°	36	2.75	13.75	3.625	4	14.125
64360	6"	22.5°	36	2.75	13.75	3.75	5	14.125



NEMA TC 6
 NEMA TC 3
 See NEC Article 352 for Usage



22.5° Elbows Belled End TC 6 DB-60 36" Radius

UNLESS OTHERWISE SPECIFIED
 DIMENSIONS ARE IN INCHES
 ANGLES ±2.0°

	NAME	DATE
DRAWN	K. Mitchell	04/01/13
CHECKED		
ENG APPR		
FILE:	22.5 DEG TC 6 DB-60 36 RAD.dwg	REV 10