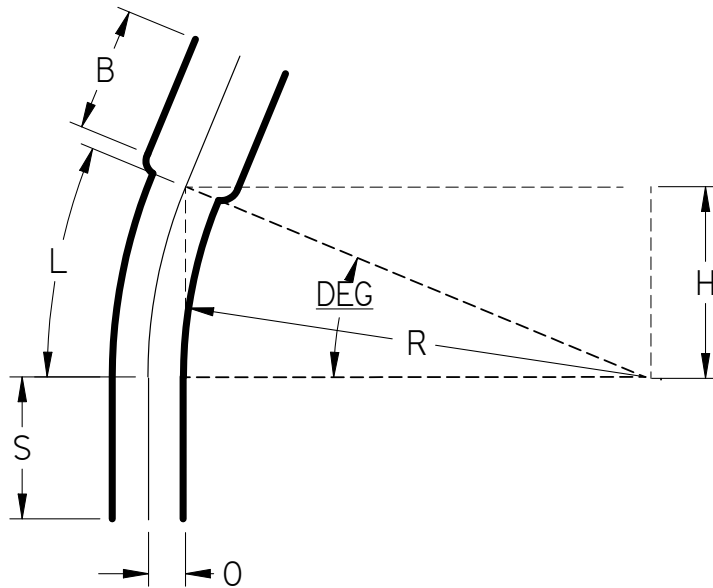


Part Number	Size	Deg	R	O	H	S Min	B Min	L
64420	2"	22.5°	48	3.625	18.375	2	1.75	18.875
64430	3"	22.5°	48	3.625	18.375	3.125	2.875	18.875
64440	4"	22.5°	48	3.625	18.375	3.375	3.375	18.875
64450	5"	22.5°	48	3.625	18.375	3.625	4	18.875
64460	6"	22.5°	48	3.625	18.375	3.75	5	18.875



NEMA TC 6  
NEMA TC 3  
See NEC Article 352 for Usage



22.5° Elbows Belled End TC 6 DB-60 48" Radius

UNLESS OTHERWISE SPECIFIED  
DIMENSIONS ARE IN INCHES  
ANGLES ±2.0°

	NAME	DATE
DRAWN	K. Mitchell	04/01/13
CHECKED		
ENG APPR		
FILE: 22.5 DEG TC 6 DB-60 48 RAD		REV 10