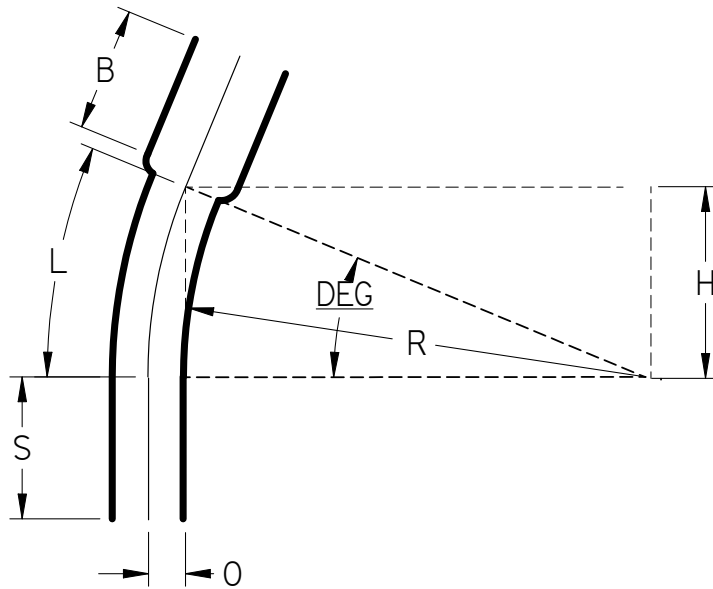


Part Number	Size	Deg	R	O	H	S Min	B Min	L
64520	2"	22.5°	60	4.5625	23	2	1.75	23.5625
64540	4"	22.5°	60	4.5625	23	3.375	3.375	23.5625
64550	5"	22.5°	60	4.5625	23	3.625	4	23.5625
64560	6"	22.5°	60	4.5625	23	3.75	5	23.5625



NEMA TC 6  
NEMA TC 3  
See NEC Article 352 for Usage



22.5° Elbows Belled End Schedule 40 60" Radius

UNLESS OTHERWISE SPECIFIED  
DIMENSIONS ARE IN INCHES  
ANGLES ±2.0°

	NAME	DATE
DRAWN	K. Mitchell	04/01/13
CHECKED		
ENG APPR		
FILE: 22.5 DEG TC 6 DB-60 60 RAD		REV 10