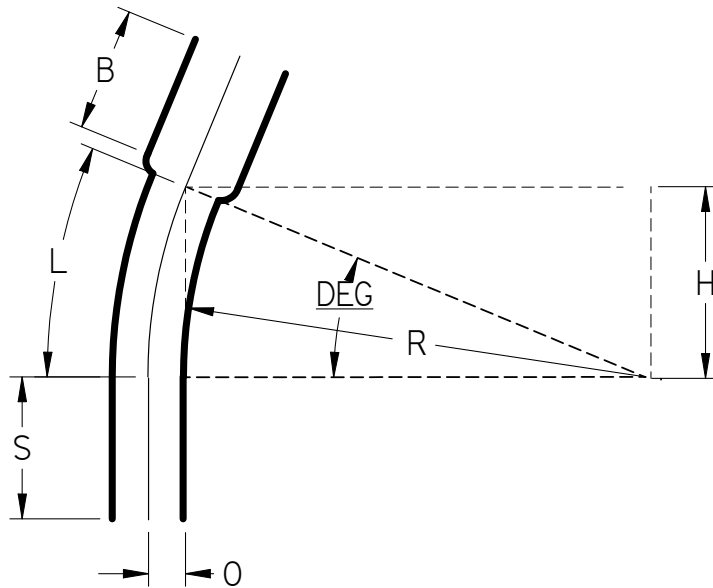


Part Number	Size	Deg	R	O	H	S Min	B Min	L
82920	2"	22.5°	24	1.8125	9.1875	2	1.75	9.4375
82930	3"	22.5°	24	1.8125	9.1875	3.125	2.875	9.4375
82940	4"	22.5°	24	1.8125	9.1875	3.375	3.375	9.4375



NEMA TC 8
 NEMA TC 3
 See NEC Article 352 for Usage



22.5° Elbows Belled End Schedule 40 24" Radius

UNLESS OTHERWISE SPECIFIED
 DIMENSIONS ARE IN INCHES
 ANGLES ±2.0°

	NAME	DATE
DRAWN	K. Mitchell	04/01/13
CHECKED		
ENG APPR		
FILE: 22.5 DEG TC 8 DB-120 24 RAD.DWG 10		