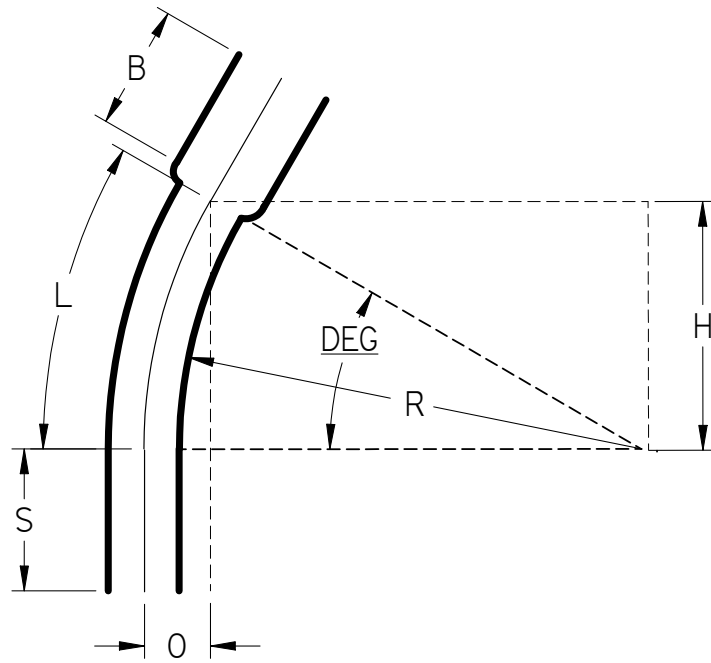
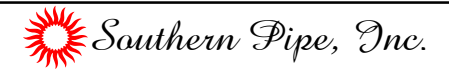


Part Number	Size	Deg	R	O	H	S Min	B Min	L
23220	2"	30°	18	2.4375	9.0625	2	1.75	9.4375
23225	2 1/2"	30°	18	2.4375	9.0625	3	3	9.4375
23230	3"	30°	18	2.4375	9.0625	3.125	2.875	9.4375



UL Listed 651  
 NEMA TC3  
 See NEC Article 352 for Usage



30° Elbows Belled End Schedule 40 18" Radius

UNLESS OTHERWISE SPECIFIED  
 DIMENSIONS ARE IN INCHES  
 ANGLES ±2.0°

	NAME	DATE
DRAWN	K. Mitchell	03/28/13
CHECKED		
ENG APPR		
FILE: 30 DEG SCH 40 18 RAD BE.dft	REV	10