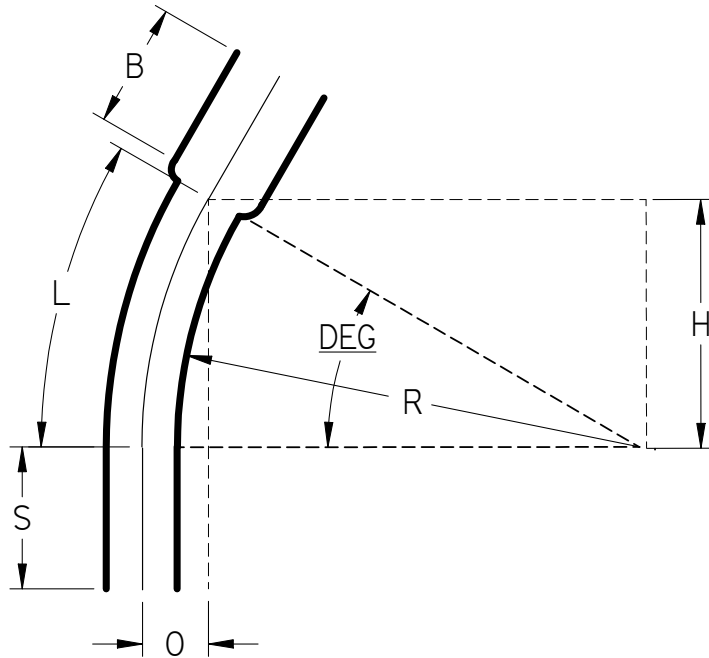


Part Number	Size	Deg	R	O	H	S Min	B Min	L
23210	1"	30°	24	3.1875	12	1.875	1.5	12.5625
23212	1 1/4"	30°	24	3.1875	12	2	2	12.5625
23215	1 1/2"	30°	24	3.1875	12	2	1.375	12.5625
23320	2"	30°	24	3.1875	12	2	1.75	12.5625
23325	2 1/2"	30°	24	3.1875	12	3	3	12.5625
23330	3"	30°	24	3.1875	12	3.125	2.875	12.5625
23340	4"	30°	24	3.1875	12	3.375	3.375	12.5625



UL Listed 651  
 NEMA TC3  
 See NEC Article 352 for Usage



30° Elbows Belled End Schedule 40 24" Radius

UNLESS OTHERWISE SPECIFIED  
 DIMENSIONS ARE IN INCHES  
 ANGLES ±2.0°

	NAME	DATE
DRAWN	K. Mitchell	03/28/13
CHECKED		
ENG APPR		
FILE: 30 DEG SCH 40 24 RAD BE.dft	REV	10