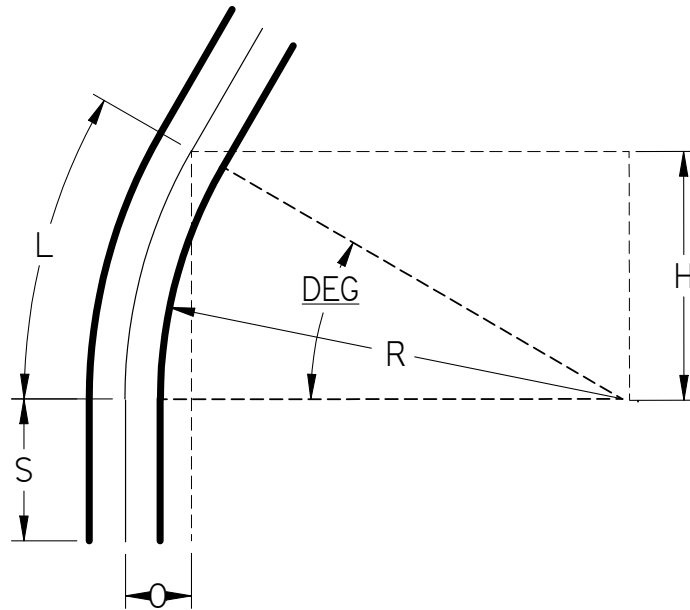
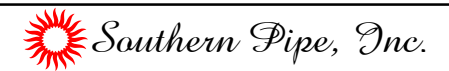


Part Number	Size	Deg	R	O	H	S Min	L
43310	1"	30°	24	3.1875	12	1.875	12.5625
43312	1 1/4"	30°	24	3.1875	12	2	12.5625
43315	1 1/2"	30°	24	3.1875	12	2	12.5625
43320	2"	30°	24	3.1875	12	2	12.5625
43325	2 1/2"	30°	24	3.1875	12	3	12.5625
43330	3"	30°	24	3.1875	12	3.125	12.5625
43340	4"	30°	24	3.1875	12	3.375	12.5625



Ⓢ Listed 651
 NEMA TC3
 See NEC Article 352 for Usage



30° Elbows Plain End Schedule 40 24" Radius

UNLESS OTHERWISE SPECIFIED
 DIMENSIONS ARE IN INCHES
 ANGLES ±2.0°

	NAME	DATE
DRAWN	K. Mitchell	03/27/13
CHECKED		
ENG APPR		
FILE: 30 DEG SCH 40 24 RAD PE.dft		REV 10