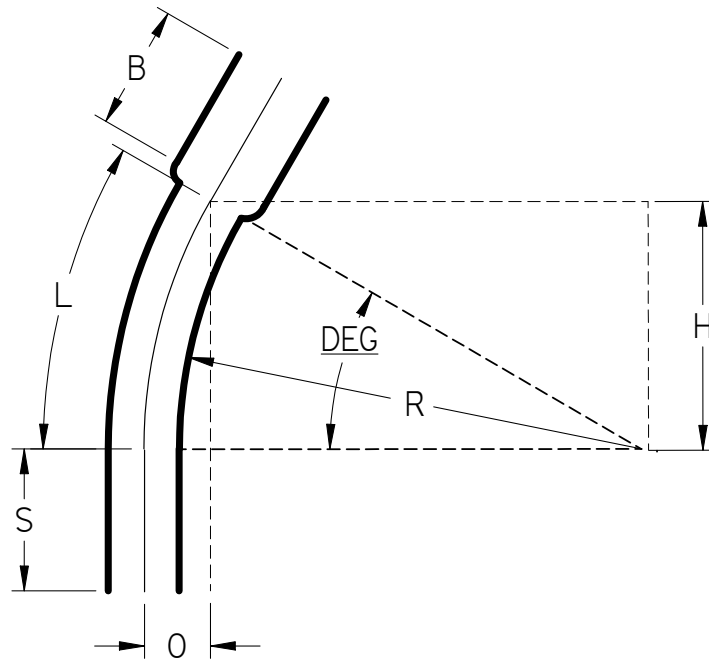


Part Number	Size	Deg	R	O	H	S Min	B Min	L
23310	1"	30°	30	4	15	1.875	1.5	15.6875
23312	1 1/4"	30°	30	4	15	2	2	15.6875
23315	1 1/2"	30°	30	4	15	2	1.375	15.6875
23420	2"	30°	30	4	15	2	1.75	15.6875
23425	2 1/2"	30°	30	4	15	3	3	15.6875
23430	3"	30°	30	4	15	3.125	2.875	15.6875
23435	3 1/2"	30°	30	4	15	3.25	3.125	15.6875
23440	4"	30°	30	4	15	3.375	3.375	15.6875
23450	5"	30°	30	4	15	3.75	4	15.6875



UL Listed 651  
 NEMA TC3  
 See NEC Article 352 for Usage



30° Elbows Belled End Schedule 40 30" Radius

UNLESS OTHERWISE SPECIFIED  
 DIMENSIONS ARE IN INCHES  
 ANGLES ±2.0°

	NAME	DATE
DRAWN	K. Mitchell	03/28/13
CHECKED		
ENG APPR		
FILE: 30 DEG SCH 40 30 RAD BE.dft		REV 10