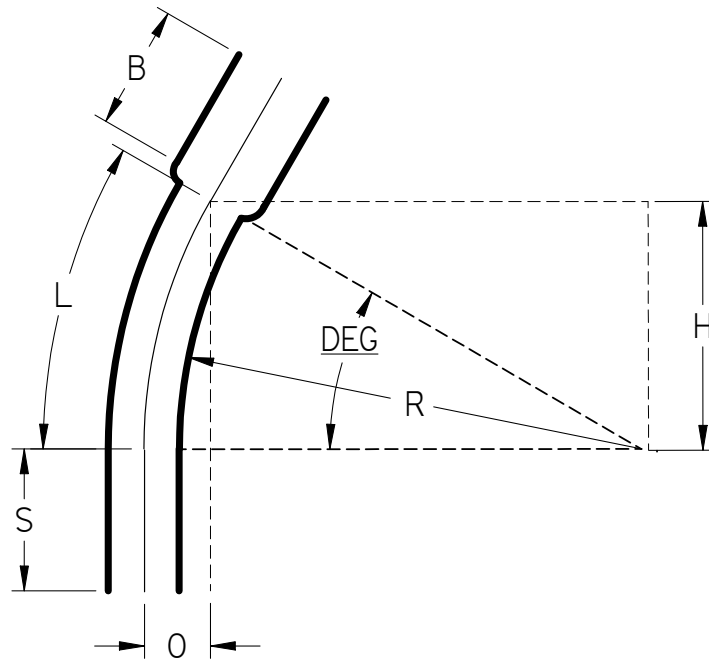


Part Number	Size	Deg	R	O	H	S Min	B Min	L
23410	1"	30°	36	4.8125	18	1.875	1.5	18.875
23412	1 1/4"	30°	36	4.8125	18	2	2	18.875
23415	1 1/2"	30°	36	4.8125	18	2	1.375	18.875
23520	2"	30°	36	4.8125	18	2	1.75	18.875
23525	2 1/2"	30°	36	4.8125	18	3	3	18.875
23530	3"	30°	36	4.8125	18	3.125	2.875	18.875
23535	3 1/2"	30°	36	4.8125	18	3.25	3.125	18.875
23540	4"	30°	36	4.8125	18	3.375	3.375	18.875
23550	5"	30°	36	4.8125	18	3.625	4	18.875
23560	6"	30°	36	4.8125	18	3.75	5	18.875



UL Listed 651  
 NEMA TC3  
 See NEC Article 352 for Usage



30° Elbows Belled End Schedule 40 36" Radius

UNLESS OTHERWISE SPECIFIED  
 DIMENSIONS ARE IN INCHES  
 ANGLES ±2.0°

	NAME	DATE
DRAWN	K. Mitchell	03/28/13
CHECKED		
ENG APPR		
FILE: 30 DEG SCH 40 36 RAD BE.dft	REV	10