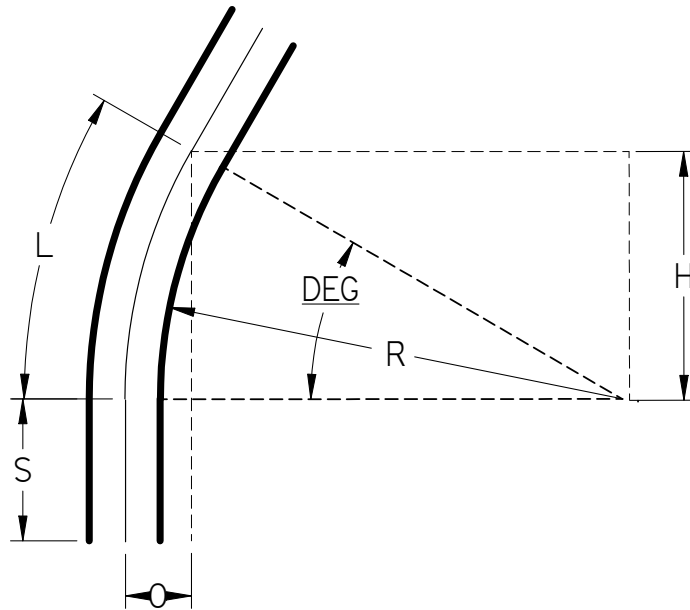
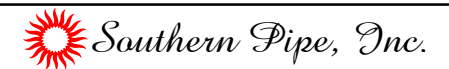


Part Number	Size	Deg	R	O	H	S Min	L
43510	1"	30°	36	4.8125	18	1.875	18.875
43512	1 1/4"	30°	36	4.8125	18	2	18.875
43515	1 1/2"	30°	36	4.8125	18	2	18.875
43120	2"	30°	36	4.8125	18	2	18.875
43525	2 1/2"	30°	36	4.8125	18	3	18.875
43530	3"	30°	36	4.8125	18	3.125	18.875
43535	3 1/2"	30°	36	4.8125	18	3.25	18.875
43540	4"	30°	36	4.8125	18	3.375	18.875
43550	5"	30°	36	4.8125	18	3.625	18.875
43560	6"	30°	36	4.8125	18	3.75	18.875



Ⓢ Listed 651
 NEMA TC3
 See NEC Article 352 for Usage



30° Elbows Plain End Schedule 40 36" Radius

UNLESS OTHERWISE SPECIFIED
 DIMENSIONS ARE IN INCHES
 ANGLES ±2.0°

	NAME	DATE
DRAWN	K. Mitchell	03/27/13
CHECKED		
ENG APPR		
FILE: 30 DEG SCH 40 36 RAD PE.dft		REV 10