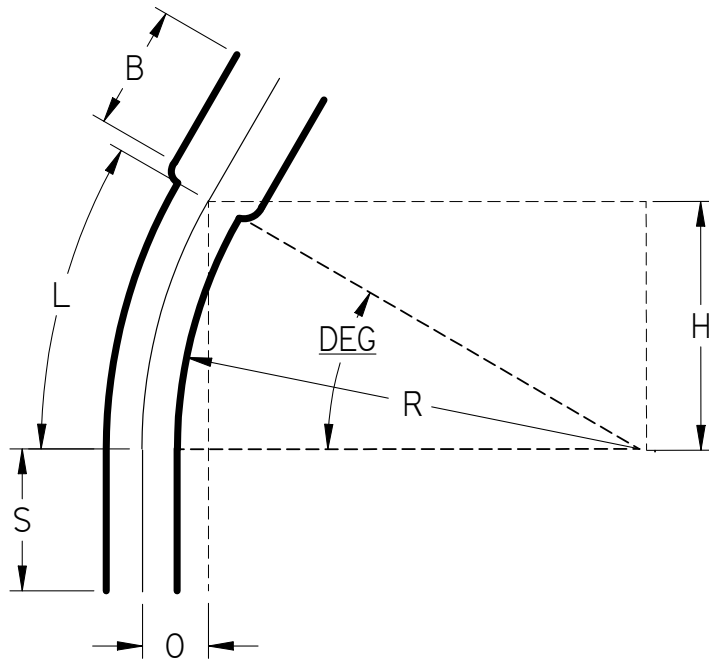


Part Number	Size	Deg	R	O	H	S Min	B Min	L
26720	2"	30°	60	8.0625	30	2	1.75	31.7345
26740	4"	30°	60	8.0625	30	3.375	3.375	31.7345
26750	5"	30°	60	8.0625	30	3.625	4	31.7345
26760	6"	30°	60	8.0625	30	3.75	5	31.7345



UL Listed 651  
 NEMA TC3  
 See NEC Article 352 for Usage



30° Elbows Belled End Schedule 40 60" Radius

UNLESS OTHERWISE SPECIFIED  
 DIMENSIONS ARE IN INCHES  
 ANGLES ±2.0°

	NAME	DATE
DRAWN	K. Mitchell	03/28/13
CHECKED		
ENG APPR		
FILE: 30 DEG SCH 40 60 RAD BE.dft	REV	10