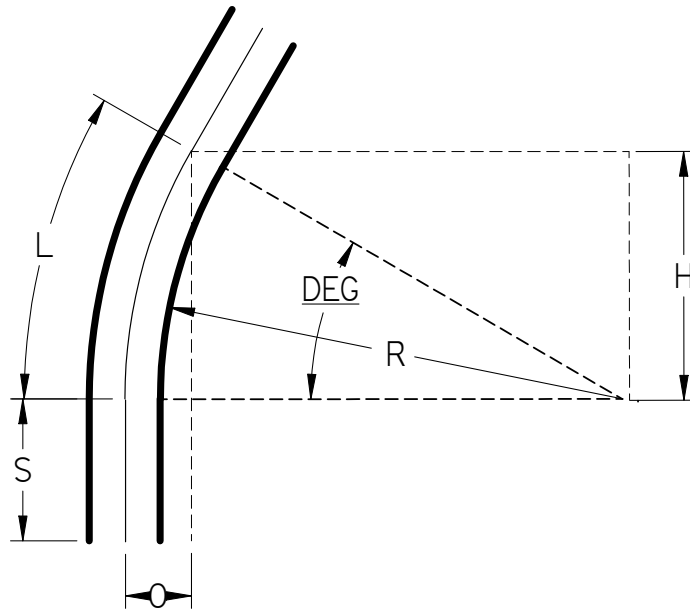
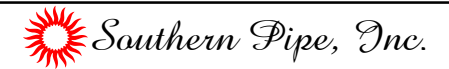


| Part Number | Size | Deg | R  | O      | H  | S Min | L       |
|-------------|------|-----|----|--------|----|-------|---------|
| 48920       | 2"   | 30° | 60 | 8.0625 | 30 | 2     | 31.7345 |
| 48940       | 4"   | 30° | 60 | 8.0625 | 30 | 3.375 | 31.7345 |
| 48950       | 5"   | 30° | 60 | 8.0625 | 30 | 3.625 | 31.7345 |
| 48960       | 6"   | 30° | 60 | 8.0625 | 30 | 3.75  | 31.7345 |
| 48980*      | 8"   | 30° | 60 | 8.0625 | 30 | 5.0   | 31.7345 |

\*8" Non UL-Listed



UL Listed 651  
 NEMA TC3  
 See NEC Article 352 for Usage



30° Elbows Plain End Schedule 40 60" Radius

UNLESS OTHERWISE SPECIFIED  
 DIMENSIONS ARE IN INCHES  
 ANGLES ±2.0°

|                                   | NAME        | DATE     |
|-----------------------------------|-------------|----------|
| DRAWN                             | K. Mitchell | 04/01/13 |
| CHECKED                           |             |          |
| ENG APPR                          |             |          |
| FILE: 30 DEG SCH 40 60 RAD PE.dft |             | REV 10   |