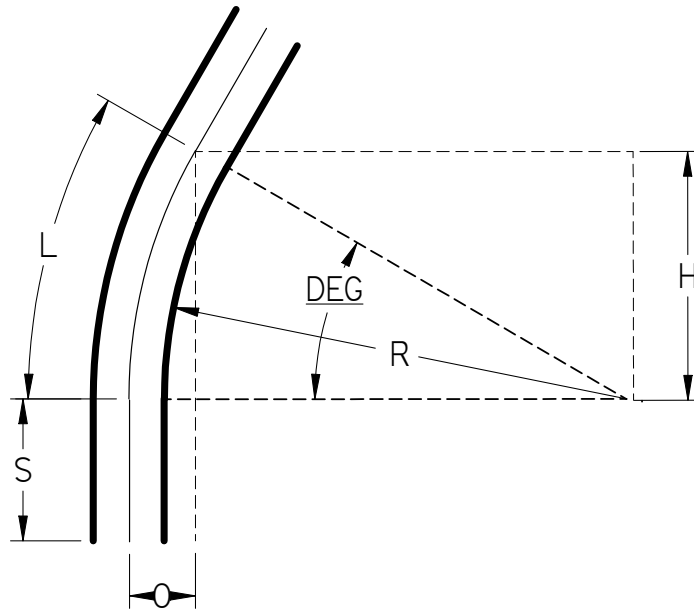
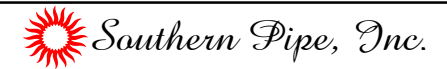


Part Number	Size	Deg	R	O	H	S Min	L
40805	1/2"	30°	4	0.536	2	15	2.094
40808	3/4"	30°	4.5	0.603	2.25	15	2.356
40810	1"	30°	5.75	0.770	2.875	18.75	3.011
40812	1 1/4"	30°	7.25	0.971	3.625	2	3.796
40815	1 1/2"	30°	8.25	1.105	4.125	2	4.320
40820	2"	30°	9.25	1.239	4.625	2	4.843
40825	2 1/2"	30°	10.5	1.407	5.25	3	5.498
40830	3"	30°	13	1.742	6.5	3.125	6.807
40835	3 1/2"	30°	15	2.010	7.5	3.25	7.854
40840	4"	30°	16	2.144	8	3.375	8.378
40850	5"	30°	24	3.215	12	3.625	12.566
40860	6"	30°	30	4.019	15	3.75	15.708



UL Listed 651
 NEMA TC3
 See NEC Article 352 for Usage



30° Elbows Plain End Schedule 40 Standard Radius

UNLESS OTHERWISE SPECIFIED
 DIMENSIONS ARE IN INCHES
 ANGLES ±2.0°

	NAME	DATE
DRAWN	K. Mitchell	03/25/13
CHECKED		
ENG APPR		
FILE: 30 DEG SCH 40 STD RAD PE.dft		REV 10