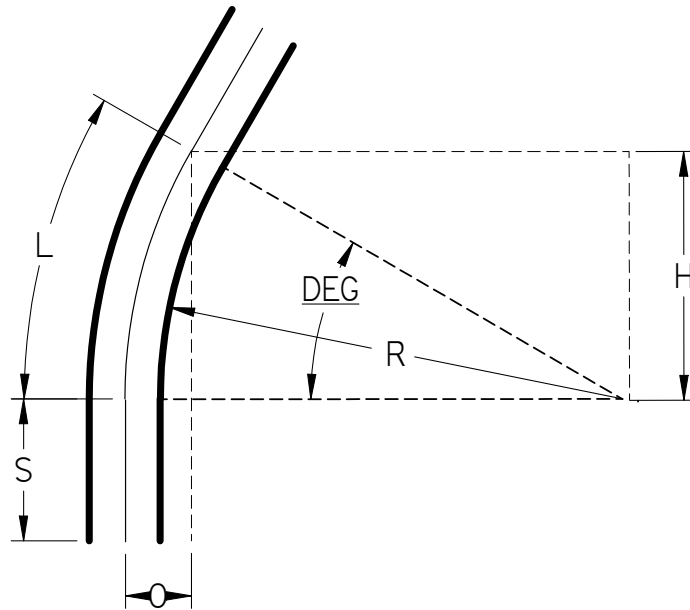
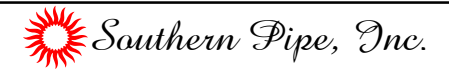


Part Number	Size	Deg	R	O	H	S Min	L
53610	1"	30°	36	6.4375	24	1.875	25.125
53612	1 1/4"	30°	7.25	6.4375	24	2	25.125
53615	1 1/2"	30°	8.25	6.4375	24	2	25.125
53620	2"	30°	9.25	6.4375	24	2	25.125
53625	2 1/2"	30°	10.5	6.4375	24	3	25.125
53630	3"	30°	13	6.4375	24	3.125	25.125
53635	3 1/2"	30°	15	6.4375	24	3.25	25.125
53640	4"	30°	16	6.4375	24	3.375	25.125
53650	5"	30°	24	6.4375	24	3.625	25.125
53660	6"	30°	30	6.4375	24	3.75	25.125



UL Listed 651
 NEMA TC3
 See NEC Article 352 for Usage



30° Elbows Plain End Schedule 80 48" Radius

UNLESS OTHERWISE SPECIFIED
 DIMENSIONS ARE IN INCHES
 ANGLES ±2.0°

	NAME	DATE
DRAWN	K. Mitchell	03/28/13
CHECKED		
ENG APPR		
FILE: 30 DEG SCH 80 48 RAD PE.dft		REV 10