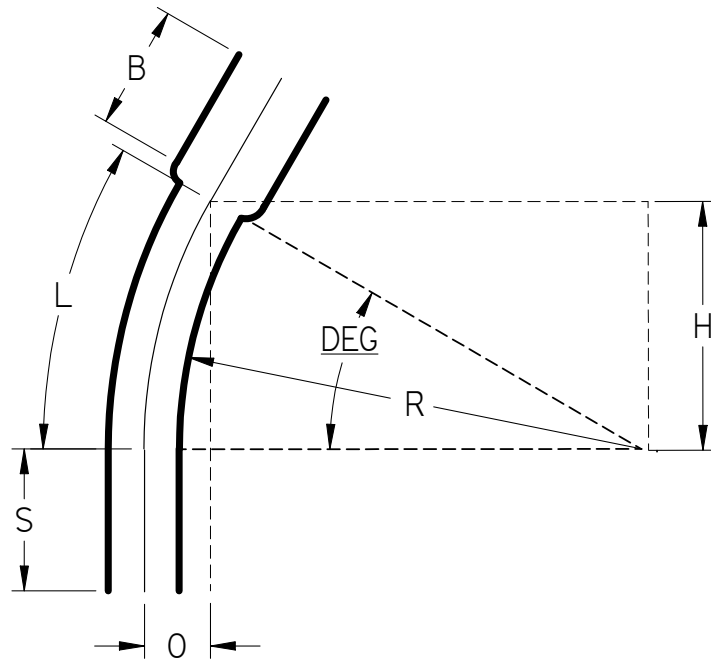


| Part Number | Size | Deg | R | O | H | S Min | B Min | L |
|-------------|------|-----|----|--------|--------|-------|-------|--------|
| 63520 | 2" | 30° | 18 | 2.4375 | 9.0625 | 2 | 1.75 | 9.4375 |
| 63530 | 3" | 30° | 18 | 2.4375 | 9.0625 | 3.125 | 2.875 | 9.4375 |



NEMA TC 6
NEMA TC 3
See NEC Article 352 for Usage



30° Elbows Belled End TC 6 DB-60 18" Radius

UNLESS OTHERWISE SPECIFIED
DIMENSIONS ARE IN INCHES
ANGLES ±2.0°

| | NAME | DATE |
|------------------------------------|-------------|----------|
| DRAWN | K. Mitchell | 04/01/13 |
| CHECKED | | |
| ENG APPR | | |
| FILE: 30 DEG TC 6 DB-60 18 RAD.dft | REV | 10 |