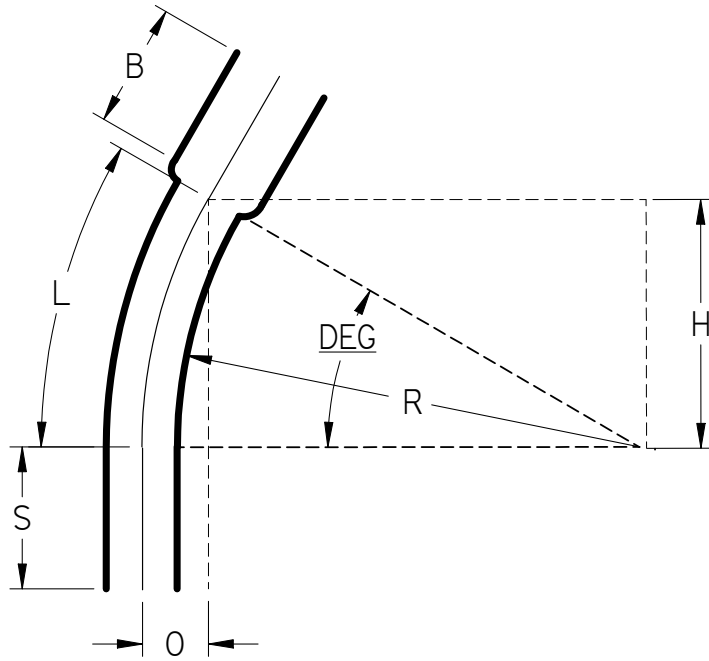


Part Number	Size	Deg	R	O	H	S Min	B Min	L
63620	2"	30°	24	3.1875	12	2	1.75	12.5625
63630	3"	30°	24	3.1875	12	3.125	2.875	12.5625
63640	4"	30°	24	3.1875	12	3.375	3.375	12.5625



NEMA TC 6
 NEMA TC 3
 See NEC Article 352 for Usage



30° Elbows Belled End TC 6 DB-60 24" Radius

UNLESS OTHERWISE SPECIFIED
 DIMENSIONS ARE IN INCHES
 ANGLES ±2.0°

	NAME	DATE
DRAWN	K. Mitchell	04/01/13
CHECKED		
ENG APPR		
FILE: 30 DEG TC 6 DB-60 24 RAD.dft		REV 10