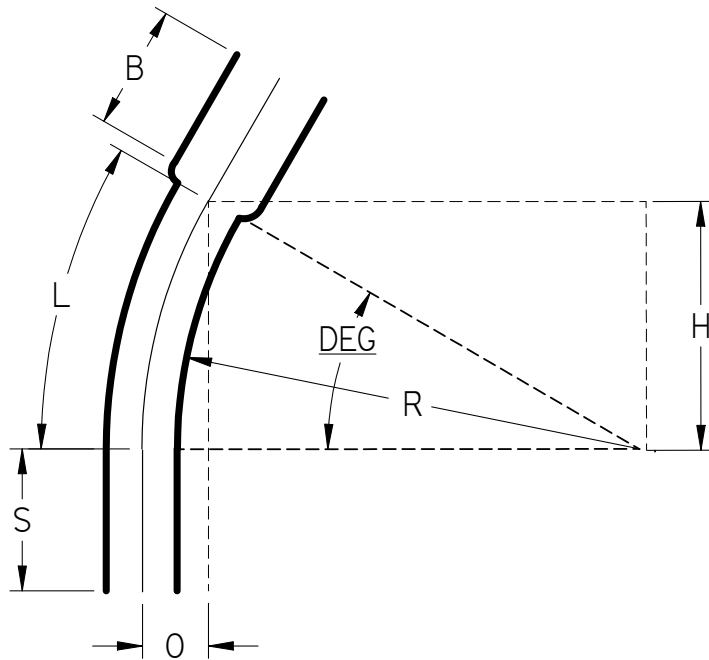


Part Number	Size	Deg	R	O	H	S Min	B Min	L
63820	2"	30°	48	6.4375	24	2	1.75	25.125
63830	3"	30°	48	6.4375	24	3.125	2.875	25.125
63840	4"	30°	48	6.4375	24	3.375	3.375	25.125
63850	5"	30°	48	6.4375	24	3.625	4	25.125
63860	6"	30°	48	6.4375	24	3.75	5	25.125



NEMA TC 6  
 NEMA TC 3  
 See NEC Article 352 for Usage



30° Elbows Belled End TC 6 DB-60 48" Radius

UNLESS OTHERWISE SPECIFIED  
 DIMENSIONS ARE IN INCHES  
 ANGLES ±2.0°

	NAME	DATE
DRAWN	K. Mitchell	04/01/13
CHECKED		
ENG APPR		
FILE: 30 DEG TC 6 DB-60 48 RAD.dft		REV 10