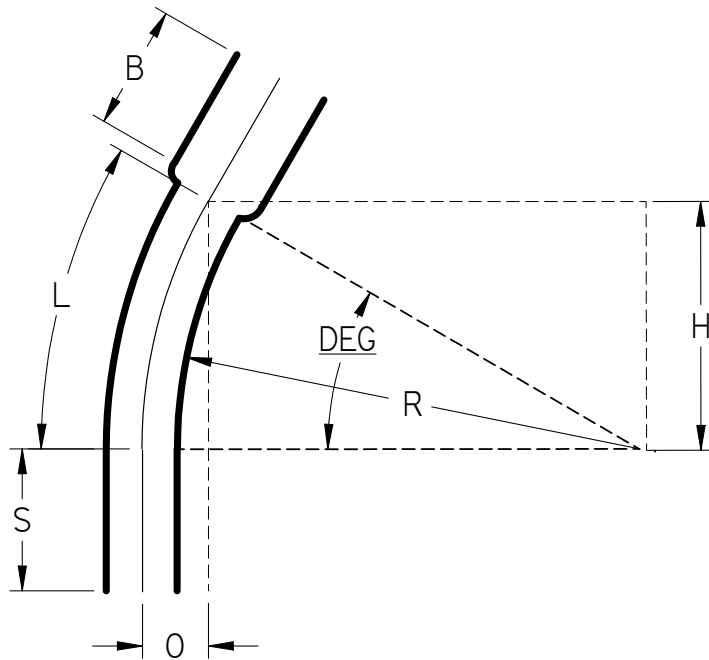
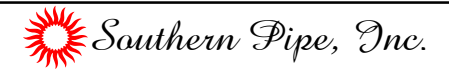


Part Number	Size	Deg	R	O	H	S Min	B Min	L
63920	2"	30°	60	8.0625	30	2	1.75	31.7345
63940	4"	30°	60	8.0625	30	3.375	3.375	31.7345
63950	5"	30°	60	8.0625	30	3.625	4	31.7345
63960	6"	30°	60	8.0625	30	3.75	5	31.7345



NEMA TC 6
 NEMA TC 3
 See NEC Article 352 for Usage



30° Elbows Belled End Schedule 40 60" Radius

UNLESS OTHERWISE SPECIFIED
 DIMENSIONS ARE IN INCHES
 ANGLES $\pm 2.0^\circ$

	NAME	DATE
DRAWN	K. Mitchell	04/01/13
CHECKED		
ENG APPR		
FILE: 30 DEG TC 6 0B-60 60 RAD.dft		REV 10