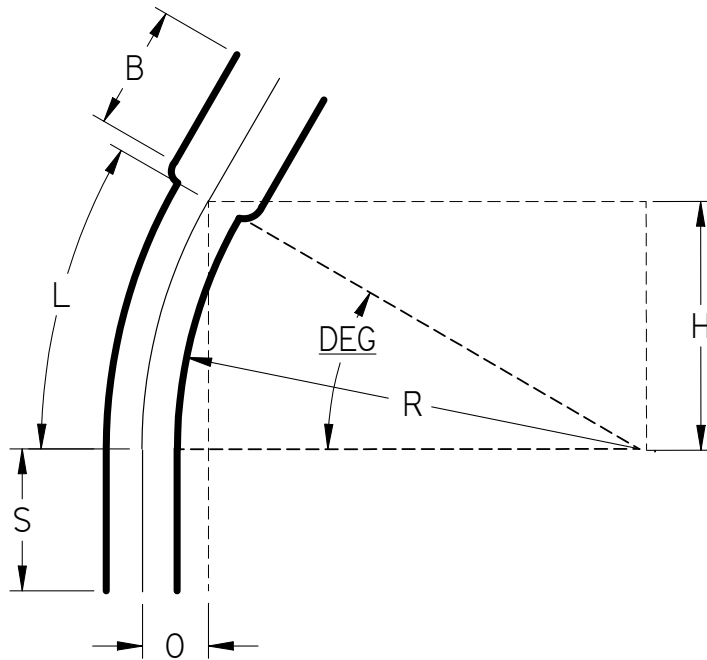


Part Number	Size	Deg	R	O	H	S Min	B Min	L
82520	2"	30°	36	4.8125	18	2	1.75	18.875
82530	3"	30°	36	4.8125	18	3.125	2.875	18.875
82540	4"	30°	36	4.8125	18	3.375	3.375	18.875
82550	5"	30°	36	4.8125	18	3.625	4	18.875
82560	6"	30°	36	4.8125	18	3.75	5	18.875



NEMA TC 8  
 NEMA TC 3  
 See NEC Article 352 for Usage



30° Elbows Belled End Schedule 40 36" Radius

UNLESS OTHERWISE SPECIFIED  
 DIMENSIONS ARE IN INCHES  
 ANGLES ±2.0°

	NAME	DATE
DRAWN	K. Mitchell	04/01/13
CHECKED		
ENG APPR		
FILE: 30 DEG TC 8 DB-120 36 RAD.dwg		REV 10