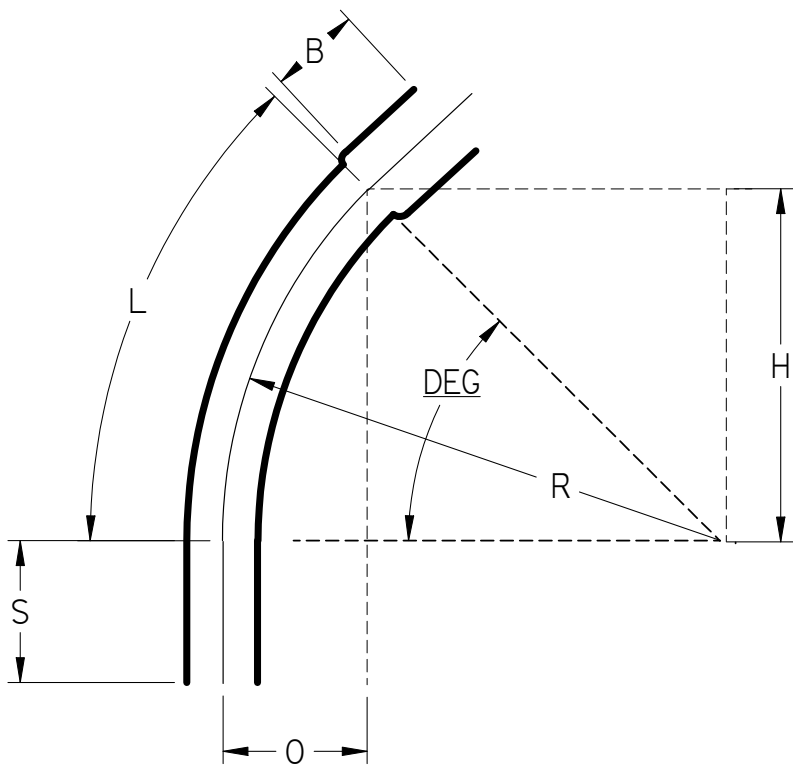
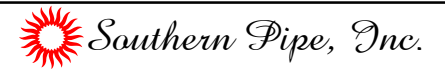


Part Number	Size	Deg	R	O	H	S Min	B Min	L
22610	1"	45°	18	5.25	12.75	1.875"	1.5	14.125
22612	1 1/4"	45°	18	5.25	12.75	2"	2	14.125
22615	1 1/2"	45°	18	5.25	12.75	2"	1.375	14.125
22720	2"	45°	18	5.25	12.75	2"	1.75	14.125
22725	2 1/2"	45°	18	5.25	12.75	3"	3	14.125
22730	3"	45°	18	5.25	12.75	3.125"	2.875	14.125



UL Listed 651
 NEMA TC3
 See NEC Article 352 for Usage



45° Elbows Belled End Schedule 40 18" Radius

UNLESS OTHERWISE SPECIFIED
 DIMENSIONS ARE IN INCHES
 ANGLES ±2.0°

	NAME	DATE
DRAWN	K. Mitchell	03/28/13
CHECKED		
ENG APPR		
FILE: 45 DEG SCH 40 18 RAD BE.dft		REV 10