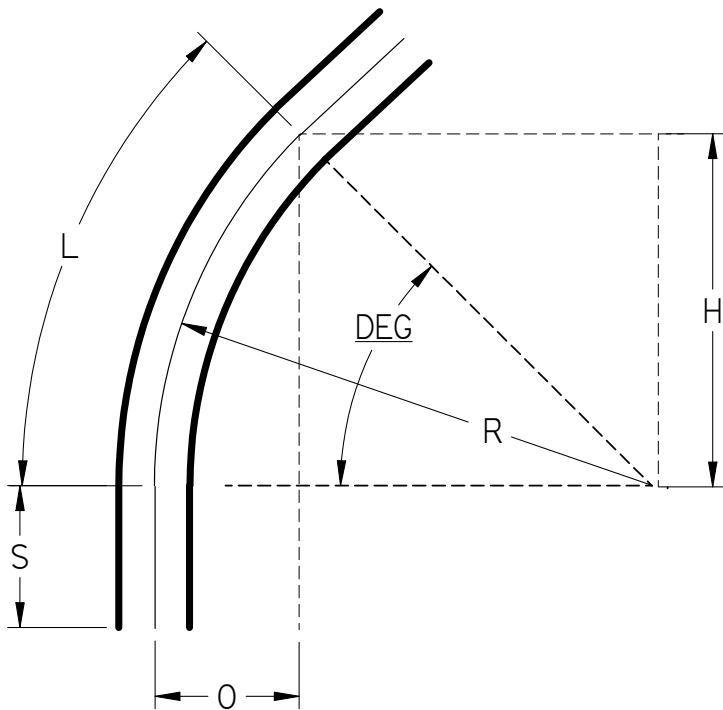
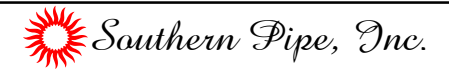


Part Number	Size	Deg	R	O	H	S Min	L
42920	2"	45°	30	21.25	21.25	2"	23.5625
42930	3"	45°	30	21.25	21.25	3.125"	23.5625
42940	4"	45°	30	21.25	21.25	3.375"	23.5625
42950	5"	45°	30	21.25	21.25	3.625"	23.5625



UL Listed 651  
 NEMA TC3  
 See NEC Article 352 for Usage



45° Elbows Plain End Schedule 40 30" Radius

UNLESS OTHERWISE SPECIFIED  
 DIMENSIONS ARE IN INCHES  
 ANGLES ±2.0°

	NAME	DATE
DRAWN	K. Mitchell	03/27/13
CHECKED		
ENG APPR		
FILE: 45 DEG SCH 40 30 RAD PE.dft		REV 10