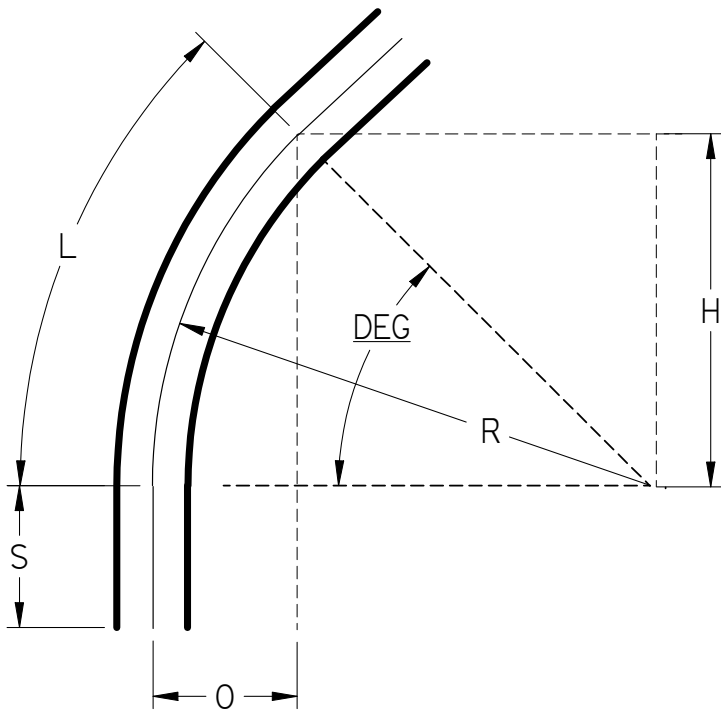


Part Number	Size	Deg	R	O	H	S Min	L
43010	1"	45°	36	10.5	25.4375	1.875"	28.25
43012	1 1/4"	45°	36	10.5	25.4375	2"	28.25
43015	1 1/2"	45°	36	10.5	25.4375	2"	28.25
43020	2"	45°	36	10.5	25.4375	2"	28.25
43025	2 1/2"	45°	36	10.5	25.4375	3"	28.25
43030	3"	45°	36	10.5	25.4375	3.125"	28.25
43035	3 1/2"	45°	36	10.5	25.4375	3.25"	28.25
43040	4"	45°	36	10.5	25.4375	3.375"	28.25
43050	5"	45°	36	10.5	25.4375	3.625"	28.25
43060	6"	45°	36	10.5	25.4375	3.75"	28.25



Ⓢ Listed 651
 NEMA TC3
 See NEC Article 352 for Usage



45° Elbows Plain End Schedule 40 36" Radius

UNLESS OTHERWISE SPECIFIED
 DIMENSIONS ARE IN INCHES
 ANGLES ±2.0°

	NAME	DATE
DRAWN	K. Mitchell	03/27/13
CHECKED		
ENG APPR		
FILE: 45 DEG SCH 40 36 RAD PE.dft		REV 10