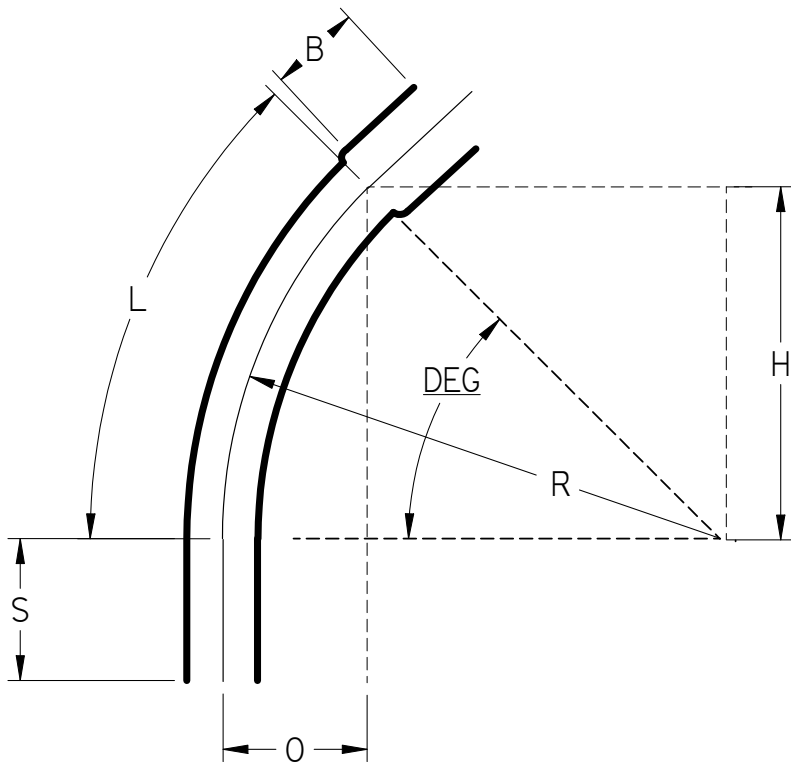
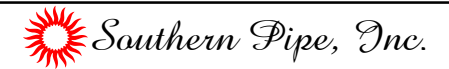


Part Number	Size	Deg	R	O	H	S Min	B Min	L
23012	1 1/4"	45°	48	14	34	2"	2	37.6875
23015	1 1/2"	45°	48	14	34	2"	1.375	37.6875
23120	2"	45°	48	14	34	2"	1.75	37.6875
23130	3"	45°	48	14	34	3.125"	3	37.6875
23140	4"	45°	48	14	34	3.375"	3.375	37.6875
23150	5"	45°	48	14	34	3.625"	4	37.6875
23160	6"	45°	48	14	34	3.75"	5	37.6875
21380*	8"	45°	48	14	34	6.625	6.75	37.6875

*8" Not UL Listed



UL Listed 651
 NEMA TC3
 See NEC Article 352 for Usage



45° Elbows Belled End Schedule 40 48" Radius

UNLESS OTHERWISE SPECIFIED
 DIMENSIONS ARE IN INCHES
 ANGLES $\pm 2.0^\circ$

	NAME	DATE
DRAWN	K. Mitchell	03/28/13
CHECKED		
ENG APPR		
FILE: 45 DEG SCH 40 48 RAD BE.dft		REV 10