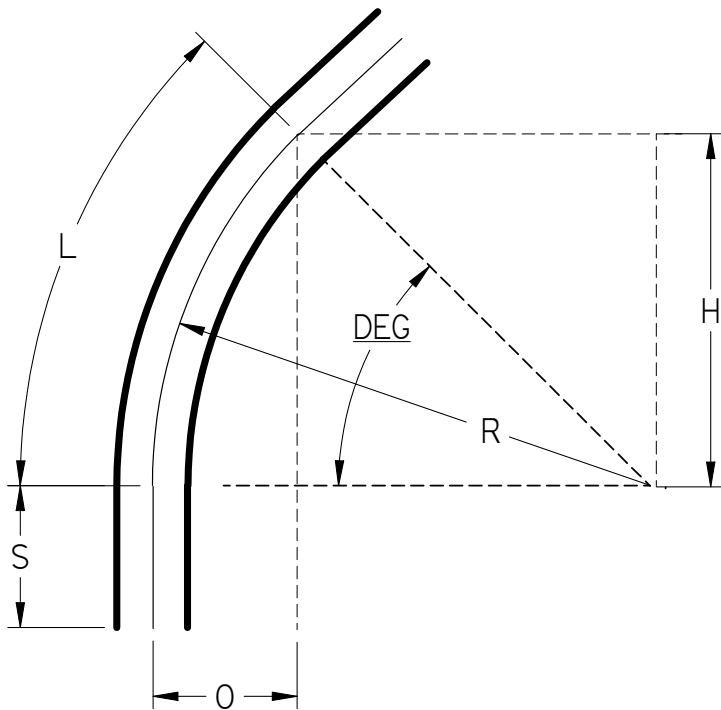


Part Number	Size	Deg	R	O	H	S Min	L
48820	2"	45°	60	17.625	34	2"	47.125
48840	4"	45°	60	17.625	34	3.375"	47.125
48850	5"	45°	60	17.625	34	3.625"	47.125
48860	6"	45°	60	17.625	34	3.75"	47.125



Ⓢ Listed 651
 NEMA TC3
 See NEC Article 352 for Usage



45° Elbows Plain End Schedule 40 60" Radius

UNLESS OTHERWISE SPECIFIED
 DIMENSIONS ARE IN INCHES
 ANGLES ±2.0°

	NAME	DATE
DRAWN	K. Mitchell	03/27/13
CHECKED		
ENG APPR		
FILE: 45 DEG SCH 40 60 RAD PE.dft	REV	10