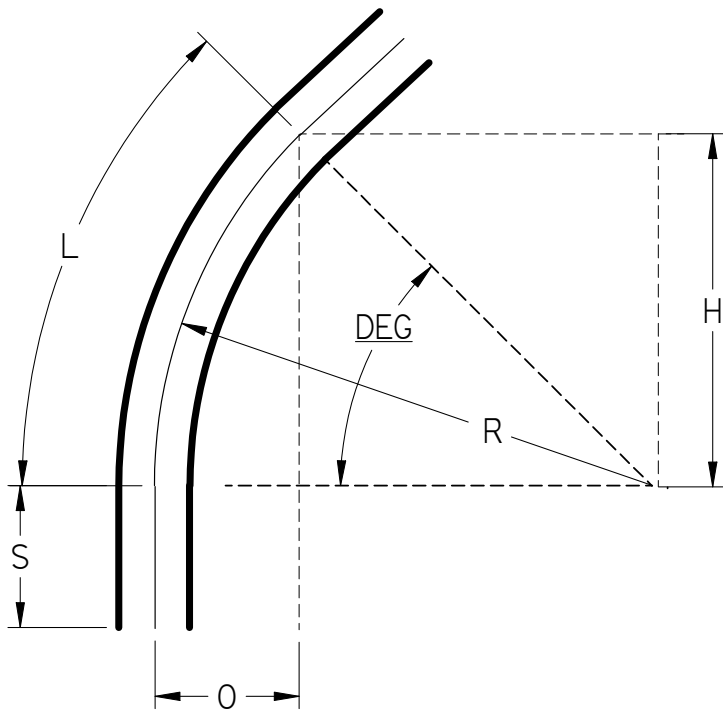


Part Number	Size	Deg	R	O	H	S Min	L
40705	1/2"	45°	4"	1.1875"	2.8125"	15"	3.142
40708	3/4"	45°	4.5"	1.3125"	3.1875"	15"	3.534
40710	1"	45°	5.75"	1.6875"	4.0625"	1.875"	4.516
40712	1 1/4"	45°	7.25"	2.125"	5.125"	2"	5.694
40715	1 1/2"	45°	8.25"	2.4375"	5.8125"	2"	6.480
40720	2"	45°	9.25"	2.8125"	6.75"	2"	7.265
40725	2 1/2"	45°	10.5"	3.0625"	7.4375"	3"	8.247
40730	3"	45°	13"	3.8125"	9.1875"	3.125"	10.21
40735	3 1/2"	45°	15"	4.375"	10.625"	3.25"	11.781
40740	4"	45°	16"	4.6875"	11.1875"	3.375"	12.566
40750	5"	45°	24"	7"	17"	3.625"	18.85
40760	6"	45°	30"	8.875"	21.25"	3.75"	23.562



UL Listed 651  
 NEMA TC3  
 See NEC Article 352 for Usage



45° Elbows Plain End Schedule 40 Standard Radius

UNLESS OTHERWISE SPECIFIED  
 DIMENSIONS ARE IN INCHES  
 ANGLES ±2.0°

	NAME	DATE
DRAWN	K. Mitchell	03/25/13
CHECKED		
ENG APPR		
FILE: 45 DEG SCH 40 STD RAD PE.dft		REV 10