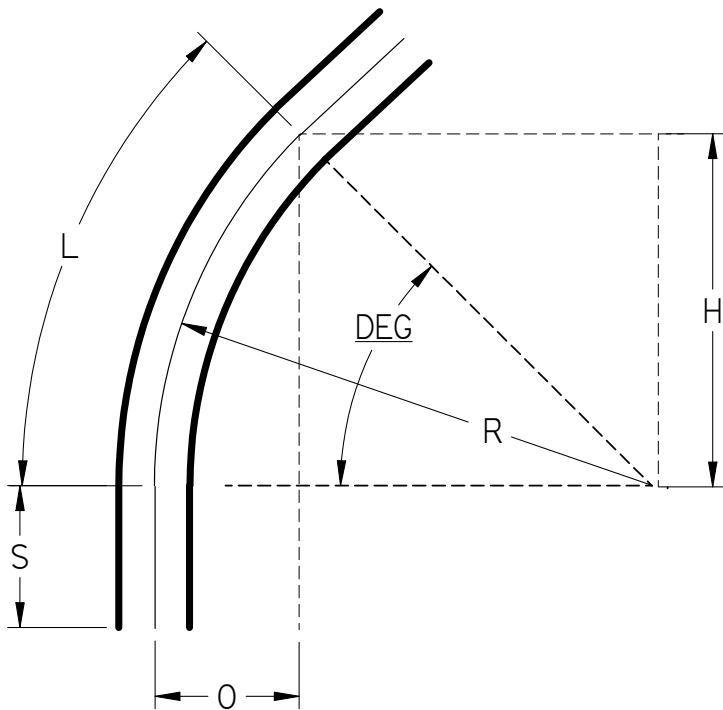
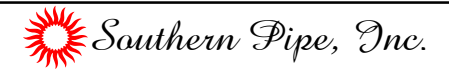


Part Number	Size	Deg	R	O	H	S Min	L
52810	1"	45°	24	17	7	1.875"	18.875
52812	1 1/4"	45°	24	17	7	2"	18.875
52815	1 1/2"	45°	24	17	7	2"	18.875
52820	2"	45°	24	17	7	2"	18.875
52825	2 1/2"	45°	24	17	7	3"	18.875
52830	3"	45°	24	17	7	3.125"	18.875
52835	3 1/2"	45°	24	17	7	3.25"	18.875
52840	4"	45°	24	17	7	3.375"	18.875



UL Listed 651
 NEMA TC3
 See NEC Article 352 for Usage



45° Elbows Plain End Schedule 40 24" Radius

UNLESS OTHERWISE SPECIFIED
 DIMENSIONS ARE IN INCHES
 ANGLES ±2.0°

	NAME	DATE
DRAWN	K. Mitchell	03/28/13
CHECKED		
ENG APPR		
FILE: 45 DEG SCH 80 24 RAD PE.dft		REV 10