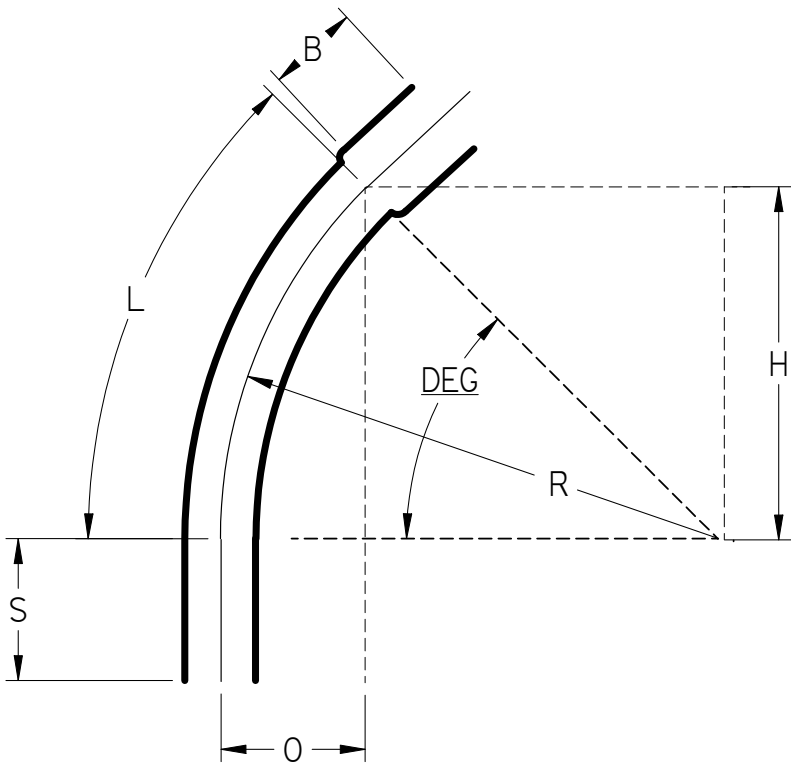


Part Number	Size	Deg	R	O	H	S Min	B Min	L
54940	4"	45°	36	10.5	25.4375	3.375"	3.375	28.25
54950	5"	45°	36	10.5	25.4375	3.625"	4	28.25
54960	6"	45°	36	10.5	25.4375	3.75"	5	28.25



Ⓢ Listed 651  
 NEMA TC3  
 See NEC Article 352 for Usage



45° Elbows Belled End Schedule 40 36" Radius

UNLESS OTHERWISE SPECIFIED  
 DIMENSIONS ARE IN INCHES  
 ANGLES ±2.0°

	NAME	DATE
DRAWN	K. Mitchell	03/28/13
CHECKED		
ENG APPR		
FILE: 45 DEG SCH 80 36 RAD BE.dft	REV	10