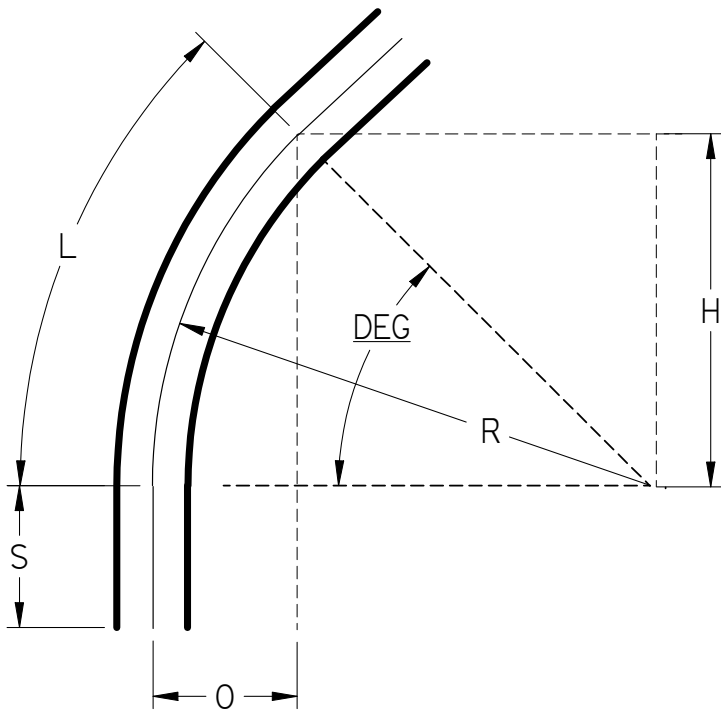


Part Number	Size	Deg	R	O	H	S Min	L
53010	1"	45°	36	10.5	25.4375	1.875"	28.25
53012	1 1/4"	45°	36	10.5	25.4375	2"	28.25
53015	1 1/2"	45°	36	10.5	25.4375	2"	28.25
53020	2"	45°	36	10.5	25.4375	2"	28.25
53025	2 1/2"	45°	36	10.5	25.4375	3"	28.25
53030	3"	45°	36	10.5	25.4375	3.125"	28.25
53035	3 1/2"	45°	36	10.5	25.4375	3.25"	28.25
53040	4"	45°	36	10.5	25.4375	3.375"	28.25
53050	5"	45°	36	10.5	25.4375	3.625"	28.25
53060	6"	45°	36	10.5	25.4375	3.75"	28.25



 Listed 651  
 NEMA TC3  
 See NEC Article 352 for Usage



45° Elbows Plain End Schedule 40 36" Radius

UNLESS OTHERWISE SPECIFIED  
 DIMENSIONS ARE IN INCHES  
 ANGLES ±2.0°

	NAME	DATE
DRAWN	K. Mitchell	03/28/13
CHECKED		
ENG APPR		
FILE: 45 DEG SCH 80 36 RAD PE.dft		REV 10