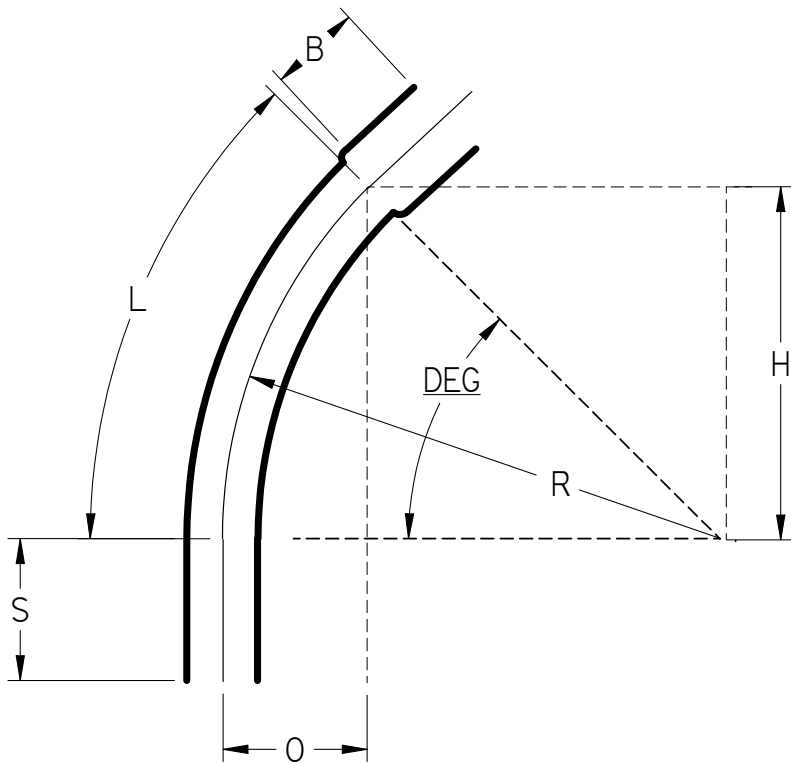


Part Number	Size	Deg	R	O	H	S Min	B Min	L
62920	2"	45°	18	5.25	12.75	2"	1.75	14.125
62930	3"	45°	18	5.25	12.75	3.125"	2.875	14.125



NEMA TC 6
 NEMA TC 3
 See NEC Article 352 for Usage



45° Elbows Belled End TC 6 DB-60 18" Radius

UNLESS OTHERWISE SPECIFIED
 DIMENSIONS ARE IN INCHES
 ANGLES ±2.0°

	NAME	DATE
DRAWN	K. Mitchell	04/01/13
CHECKED		
ENG APPR		
FILE: 45 DEG TC 6 DB-60 18 RAD.dft		REV 10