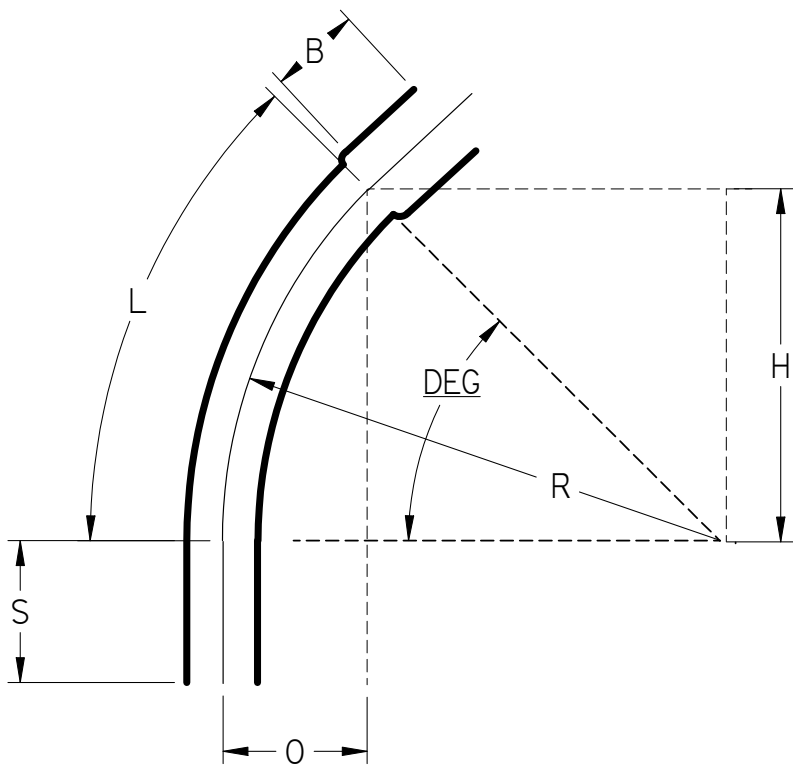


Part Number	Size	Deg	R	O	H	S Min	B Min	L
22920	2"	45°	30	21.25	21.25	2"	1.75	23.5625
22930	3"	45°	30	21.25	21.25	3.125"	2.875	23.5625
22940	4"	45°	30	21.25	21.25	3.375"	3.375	23.5625
22950	5"	45°	30	21.25	21.25	3.625"	4	23.5625



UL Listed 651
 NEMA TC3
 See NEC Article 352 for Usage



45° Elbows Belled End Schedule 40 30" Radius

UNLESS OTHERWISE SPECIFIED
 DIMENSIONS ARE IN INCHES
 ANGLES ±2.0°

	NAME	DATE
DRAWN	K. Mitchell	03/28/13
CHECKED		
ENG APPR		
FILE: 45 DEG SCH 40 30 RAD BE.dft	REV	10