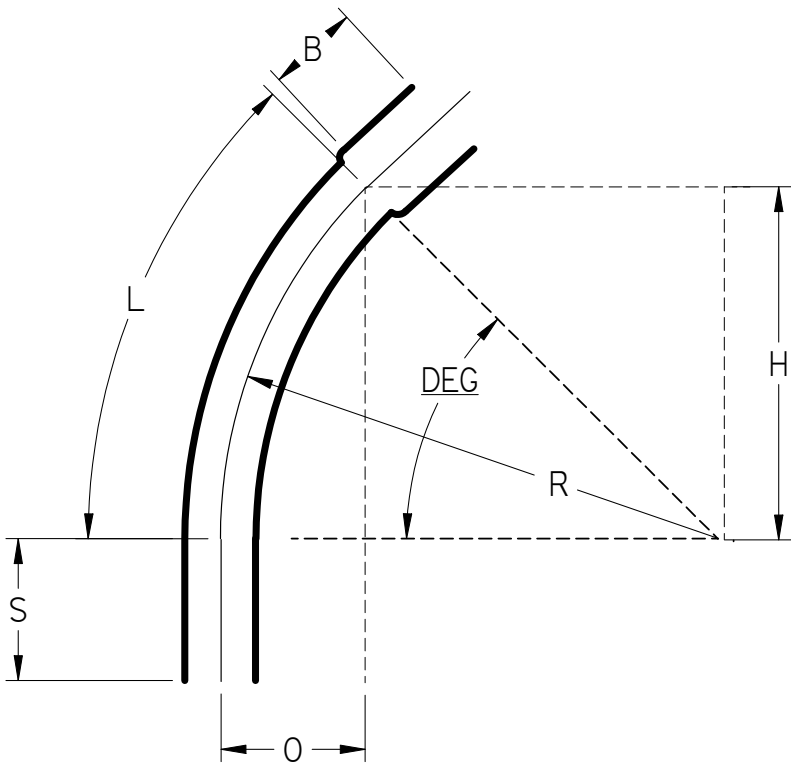
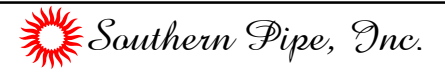


Part Number	Size	Deg	R	O	H	S Min	B Min	L
63120	2"	45°	36	10.5	25.4375	2"	1.75	28.25
63130	3"	45°	36	10.5	25.4375	3.125"	2.875	28.25
63140	4"	45°	36	10.5	25.4375	3.375"	3.375	28.25
63150	5"	45°	36	10.5	25.4375	3.625"	4	28.25
63160	6"	45°	36	10.5	25.4375	3.75"	5	28.25



NEMA TC 6
 NEMA TC 3
 See NEC Article 352 for Usage



45° Elbows Belled End TC 6 DB-60 36" Radius

UNLESS OTHERWISE SPECIFIED
 DIMENSIONS ARE IN INCHES
 ANGLES ±2.0°

	NAME	DATE
DRAWN	K. Mitchell	04/01/13
CHECKED		
ENG APPR		
FILE: 45 DEG TC 6 DB-60 36 RAD.dft		REV 10