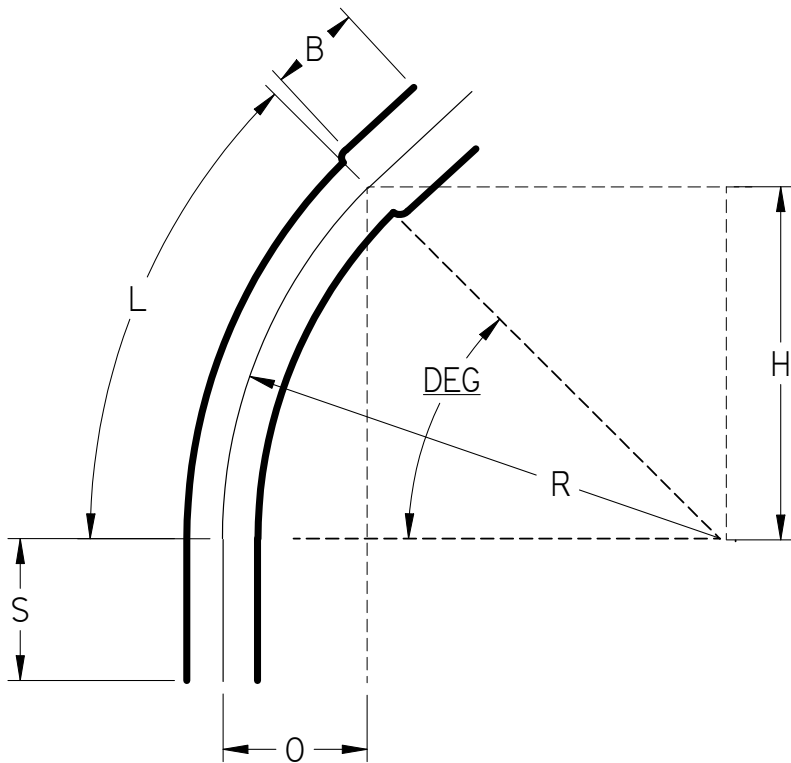


Part Number	Size	Deg	R	O	H	S Min	B Min	L
63220	2"	45°	48	14	34	2"	1.75	37.6875
63230	3"	45°	48	14	34	3.125"	3	37.6875
63240	4"	45°	48	14	34	3.375"	3.375	37.6875
63250	5"	45°	48	14	34	3.625"	4	37.6875
63260	6"	45°	48	14	34	3.75"	5	37.6875



NEMA TC 6
 NEMA TC 3
 See NEC Article 352 for Usage



45° Elbows Belled End TC 6 DB-60 48" Radius

UNLESS OTHERWISE SPECIFIED
 DIMENSIONS ARE IN INCHES
 ANGLES ±2.0°

	NAME	DATE
DRAWN	K. Mitchell	04/01/13
CHECKED		
ENG APPR		
FILE: 45 DEG TC 6 DB-60 48 RAD.dwg		REV 10