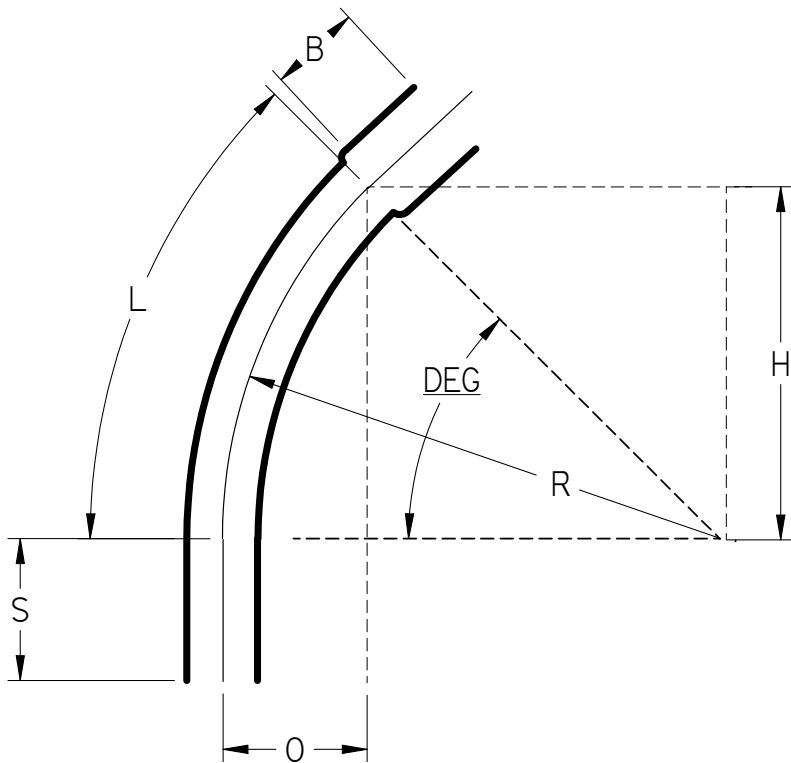
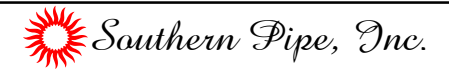


Part Number	Size	Deg	R	O	H	S Min	B Min	L
63320	2"	45°	60	17.625	34	2"	1.75	47.125
63340	4"	45°	60	17.625	34	3.375"	3.375	47.125
63350	5"	45°	60	17.625	34	3.625"	4	47.125
63360	6"	45°	60	17.625	34	3.75"	5	47.125



NEMA TC 6
 NEMA TC 3
 See NEC Article 352 for Usage



45° Elbows Belled End Schedule 40 60" Radius

UNLESS OTHERWISE SPECIFIED
 DIMENSIONS ARE IN INCHES
 ANGLES ±2.0°

	NAME	DATE
DRAWN	K. Mitchell	04/01/13
CHECKED		
ENG APPR		
FILE: 45 DEG TC 6 OB-60 60 RAD.dwg		REV 10