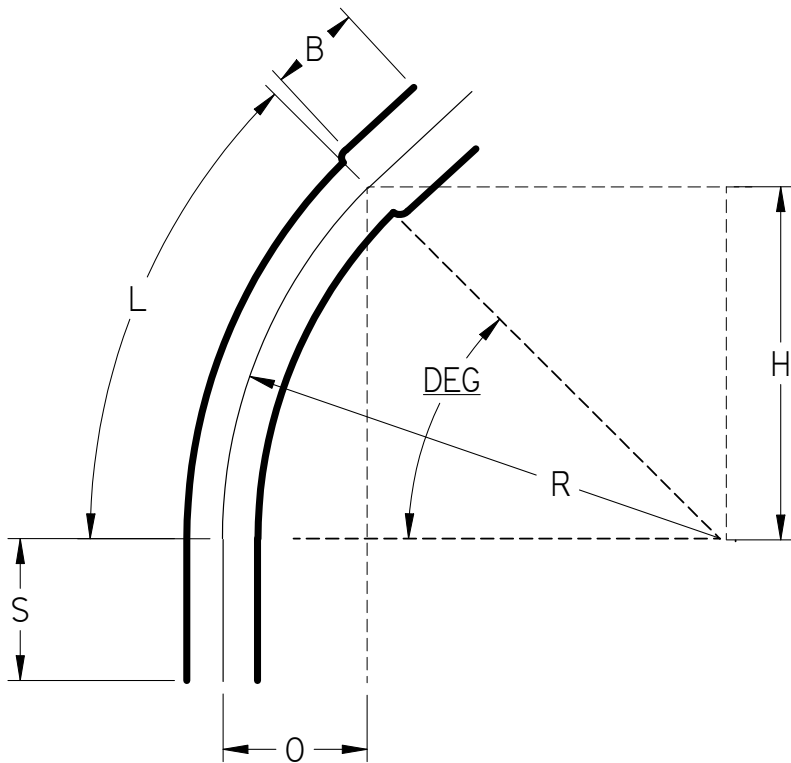


Part Number	Size	Deg	R	O	H	S Min	B Min	L
83040	4"	45°	24	17	7	3.375"	3.375	18.875



NEMA TC 8  
 NEMA TC 3  
 See NEC Article 352 for Usage



45° Elbows Belled End Schedule 40 24" Radius

UNLESS OTHERWISE SPECIFIED  
 DIMENSIONS ARE IN INCHES  
 ANGLES ±2.0°

	NAME	DATE
DRAWN	K. Mitchell	04/01/13
CHECKED		
ENG APPR		
FILE: 45 DEG TC 8 DB-120 24 RAD.dwg		REV 10