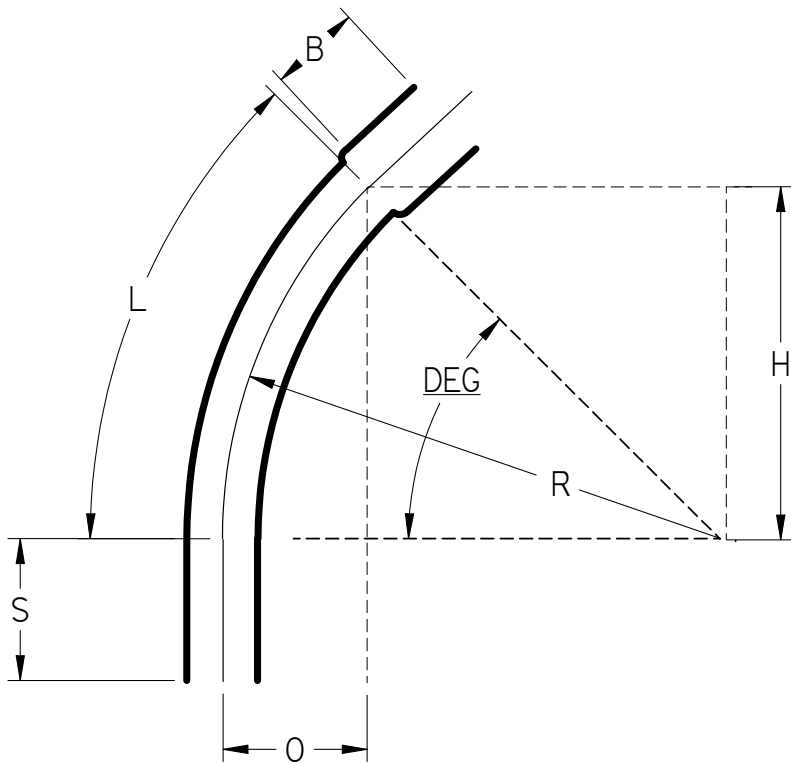


Part Number	Size	Deg	R	O	H	S Min	B Min	L
83260	6"	45°	48	14	34	3.75"	5	37.6875



NEMA TC 8
 NEMA TC 3
 See NEC Article 352 for Usage



45° Elbows Belled End Schedule 40 48" Radius

UNLESS OTHERWISE SPECIFIED
 DIMENSIONS ARE IN INCHES
 ANGLES ±2.0°

	NAME	DATE
DRAWN	K. Mitchell	04/01/13
CHECKED		
ENG APPR		
FILE: 45 DEG TC 8 DB-120 48 RAD.dwg		REV 10