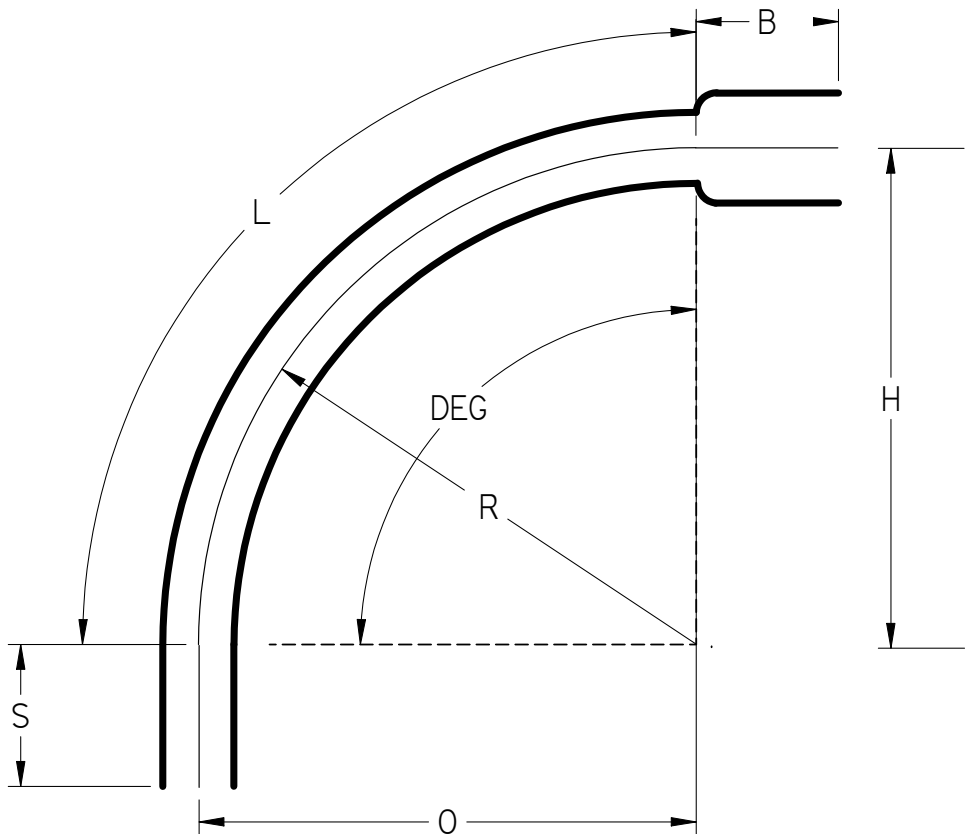


| Part Number | Size   | Deg | R  | O  | H  | S Min  | B Min | L     |
|-------------|--------|-----|----|----|----|--------|-------|-------|
| 22110       | 1"     | 90° | 18 | 18 | 18 | 1.875" | 1.5   | 28.25 |
| 22112       | 1 1/4" | 90° | 18 | 18 | 18 | 2"     | 2     | 28.25 |
| 22115       | 1 1/2" | 90° | 18 | 18 | 18 | 2"     | 1.375 | 28.25 |
| 22120       | 2"     | 90° | 18 | 18 | 18 | 2"     | 1.75  | 28.25 |
| 22125       | 2 1/2" | 90° | 18 | 18 | 18 | 3"     | 3     | 28.25 |
| 22130       | 3"     | 90° | 18 | 18 | 18 | 3.125" | 2.875 | 28.25 |



Ⓢ Listed 651  
 NEMA TC3  
 See NEC Article 352 for Usage



90° Elbows Belled End Schedule 40 18 "Radius

UNLESS OTHERWISE SPECIFIED  
 DIMENSIONS ARE IN INCHES  
 ANGLES ±2.0°

|                                   | NAME        | DATE     |
|-----------------------------------|-------------|----------|
| DRAWN                             | K. Mitchell | 03/28/13 |
| CHECKED                           |             |          |
| ENG APPR                          |             |          |
| FILE: 90 DEG SCH 40 18 RAD BE.dft | REV         | 10       |