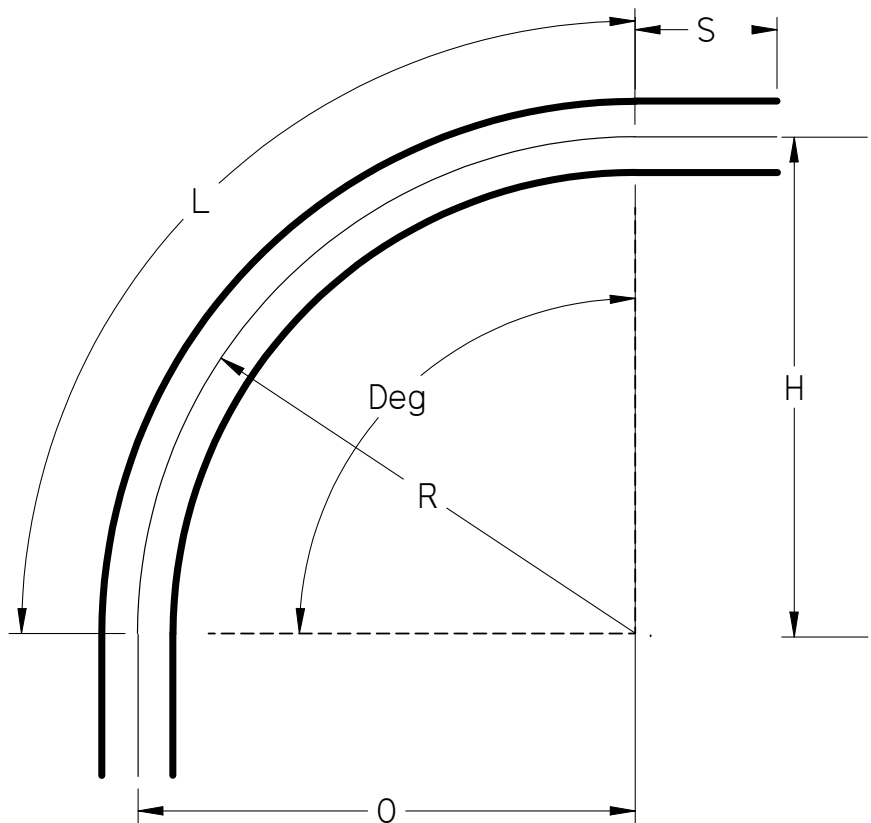
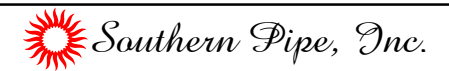


Part Number	Size	Deg	R	O	H	S Min	L
42110	1"	90°	18	18	18	1.875"	28.25
42112	1 1/4"	90°	18	18	18	2"	28.25
42115	1 1/2"	90°	18	18	18	2"	28.25
42120	2"	90°	18	18	18	2"	28.25
42125	2 1/2"	90°	18	18	18	3"	28.25
42130	3"	90°	18	18	18	3.125"	28.25



UL Listed 651
 NEMA TC3
 See NEC Article 352 for Usage



90° Elbows Plain End Schedule 40 18" Radius

UNLESS OTHERWISE SPECIFIED
 DIMENSIONS ARE IN INCHES
 ANGLES ±2.0°

	NAME	DATE
DRAWN	K. Mitchell	03/27/13
CHECKED		
ENG APPR		
FILE: 90 DEG SCH 40 18 RAD PE.dft		REV 10