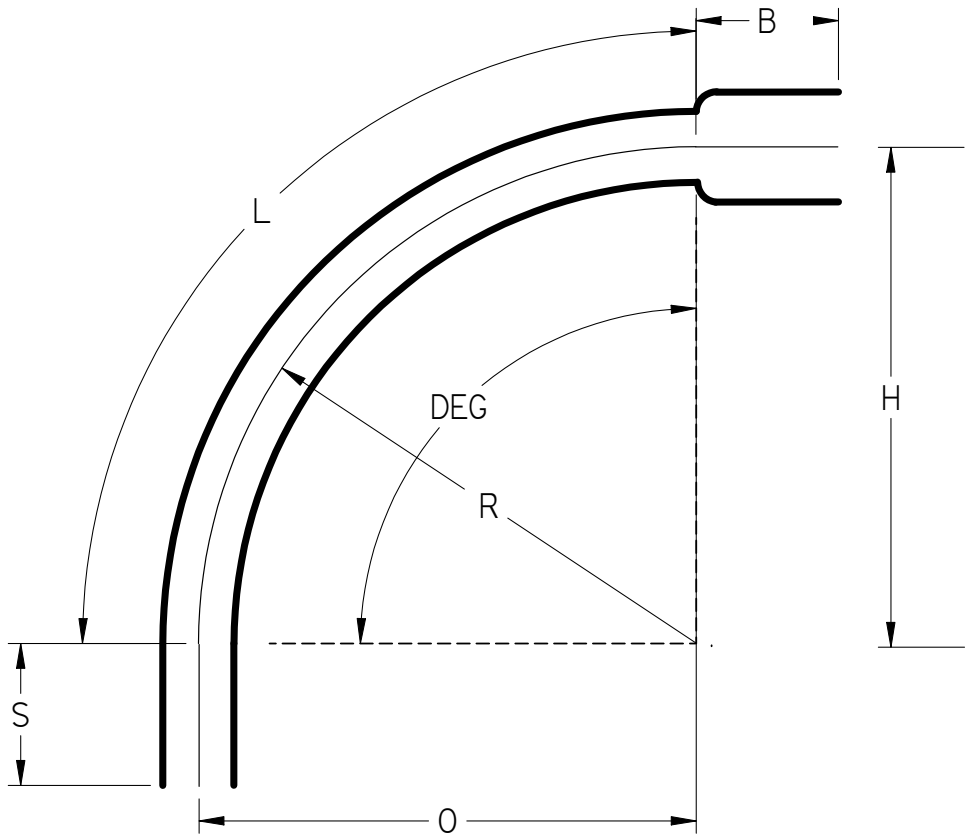
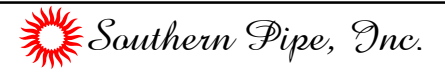


Part Number	Size	Deg	R	O	H	S Min	B Min	L
22208	3/4"	90°	24	24	24	1.5"	1.5	37.75
22210	1"	90°	24	24	24	1.875"	1.5	37.75
22212	1 1/4"	90°	24	24	24	2"	2	37.75
22215	1 1/2"	90°	24	24	24	2"	1.375	37.75
22220	2"	90°	24	24	24	2"	1.75	37.75
22225	2 1/2"	90°	24	24	24	3"	3	37.75
22230	3"	90°	24	24	24	3.125"	2.875	37.75
22235	3 1/2"	90°	24	24	24	3.25"	3.125	37.75
22240	4"	90°	24	24	24	3.375"	3.375	37.75



UL Listed 651  
 NEMA TC3  
 See NEC Article 352 for Usage



90° Elbows Belled End Schedule 40 24" Radius

UNLESS OTHERWISE SPECIFIED  
 DIMENSIONS ARE IN INCHES  
 ANGLES ±2.0°

	NAME	DATE
DRAWN	K. Mitchell	03/28/13
CHECKED		
ENG APPR		
FILE: 90 DEG SCH 40 24 RAD BE.dft	REV	10