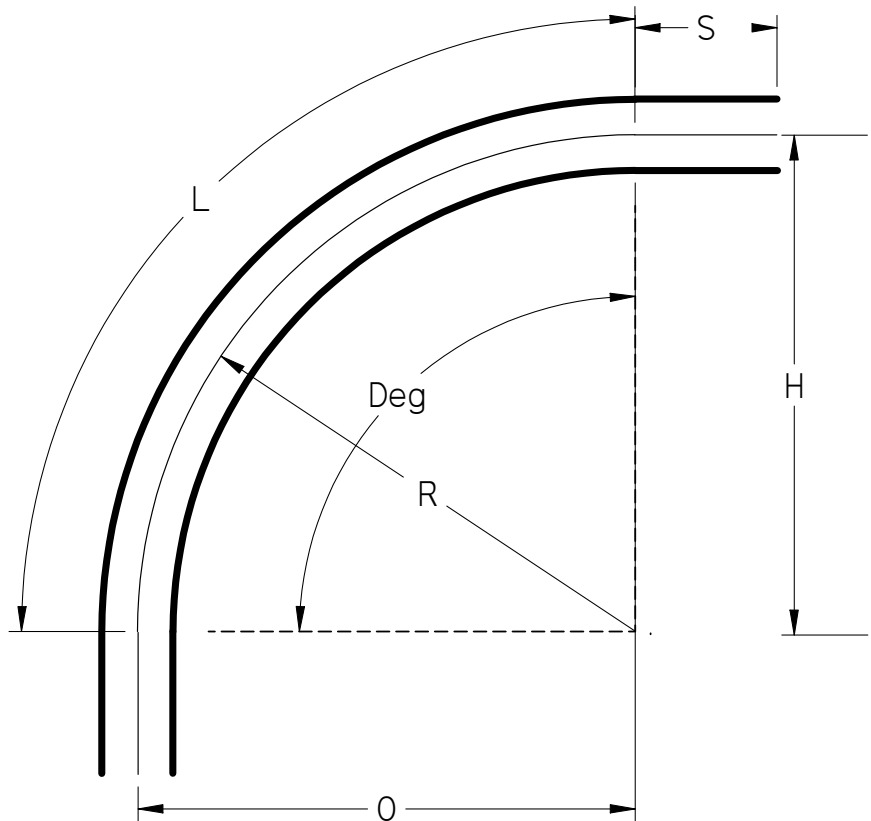


Part Number	Size	Deg	R	O	H	S Min	L
42208	3/4"	90°	24	24	24	1.5"	37.75
42210	1"	90°	24	24	24	1.875"	37.75
42212	1 1/4"	90°	24	24	24	2"	37.75
42215	1 1/2"	90°	24	24	24	2"	37.75
42220	2"	90°	24	24	24	2"	37.75
42225	2 1/2"	90°	24	24	24	3"	37.75
42230	3"	90°	24	24	24	3.125"	37.75
42235	3 1/2"	90°	24	24	24	3.25"	37.75
42240	4"	90°	24	24	24	3.375"	37.75



UL Listed 651
 NEMA TC3
 See NEC Article 352 for Usage



90° Elbows Plain End Schedule 40 Standard Radius

UNLESS OTHERWISE SPECIFIED
 DIMENSIONS ARE IN INCHES
 ANGLES ±2.0°

	NAME	DATE
DRAWN	K. Mitchell	03/27/13
CHECKED		
ENG APPR		
FILE: 90 DEG SCH 40 24 RAD PE.dft		REV 10