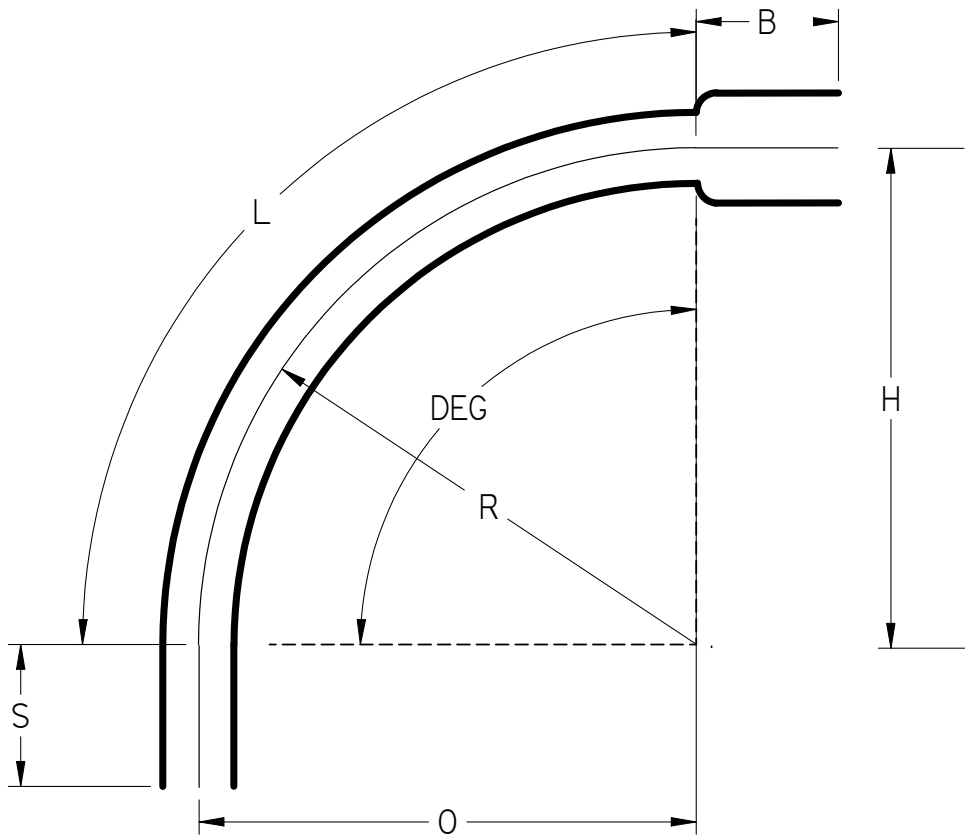
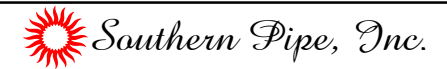


Part Number	Size	Deg	R	O	H	S Min	B Min	L
22310	1"	90°	30	30	30	1.875"	1.5	47.125
22312	1 1/4"	90°	30	30	30	2"	2	47.125
22315	1 1/2"	90°	30	30	30	2"	1.375	47.125
22320	2"	90°	30	30	30	2"	1.75	47.125
22325	2 1/2"	90°	30	30	30	3"	3	47.125
22330	3"	90°	30	30	30	3.125"	2.875	47.125
22335	3 1/2"	90°	30	30	30	3.25"	3.125	47.125
22340	4"	90°	30	30	30	3.375"	3.375	47.125
22350	5"	90°	30	30	30	3.625"	4	47.125



 Listed 651
 NEMA TC3
 See NEC Article 352 for Usage



90° Elbows Belled End Schedule 40 30" Radius

UNLESS OTHERWISE SPECIFIED
 DIMENSIONS ARE IN INCHES
 ANGLES ±2.0°

	NAME	DATE
DRAWN	K. Mitchell	03/28/13
CHECKED		
ENG APPR		
FILE: 90 DEG SCH 40 30 RAD BE.dft		REV 10