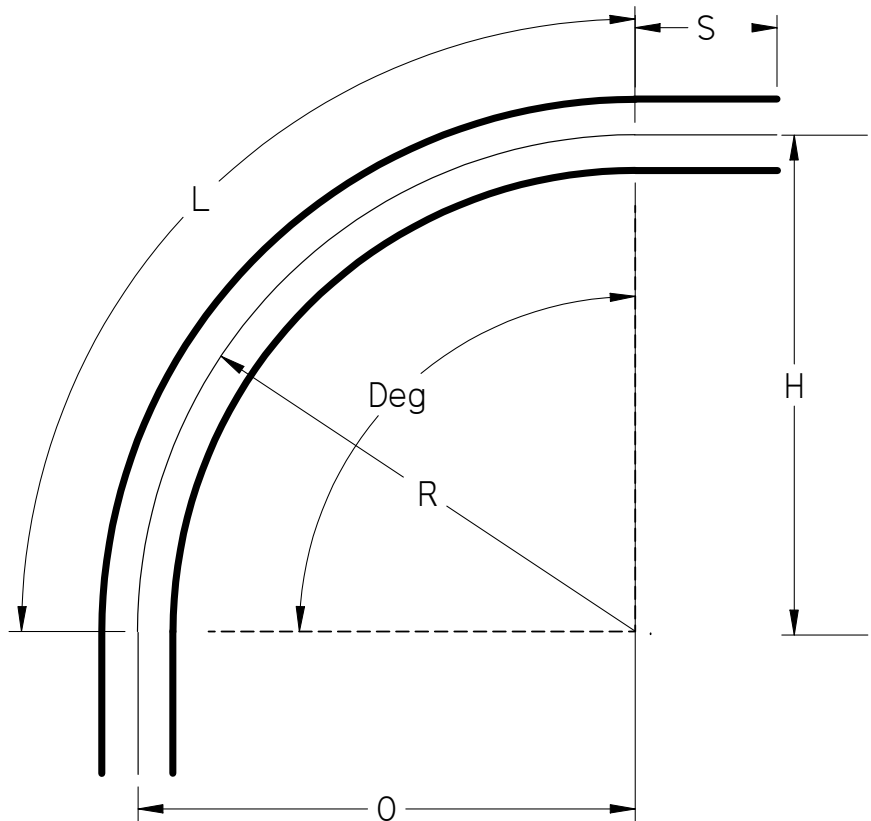
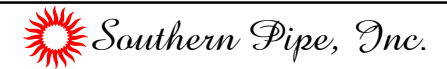


Part Number	Size	Deg	R	O	H	S Min	L
40610	1"	90°	30	30	30	1.875"	47.125
40612	1 1/4"	90°	30	30	30	2"	47.125
40615	1 1/2"	90°	30	30	30	2"	47.125
40620	2"	90°	30	30	30	2"	47.125
40625	2 1/2"	90°	30	30	30	3"	47.125
40630	3"	90°	30	30	30	3.125"	47.125
40635	3 1/2"	90°	30	30	30	3.25"	47.125
40640	4"	90°	30	30	30	3.375"	47.125
40650	5"	90°	30	30	30	3.625"	47.125



UL Listed 651
 NEMA TC3
 See NEC Article 352 for Usage



90° Elbows Plain End Schedule 40 Standard Radius

UNLESS OTHERWISE SPECIFIED
 DIMENSIONS ARE IN INCHES
 ANGLES ±2.0°

	NAME	DATE
DRAWN	K. Mitchell	03/27/13
CHECKED		
ENG APPR		
FILE: 90 DEG SCH 40 30 RAD PE.dft		REV 10