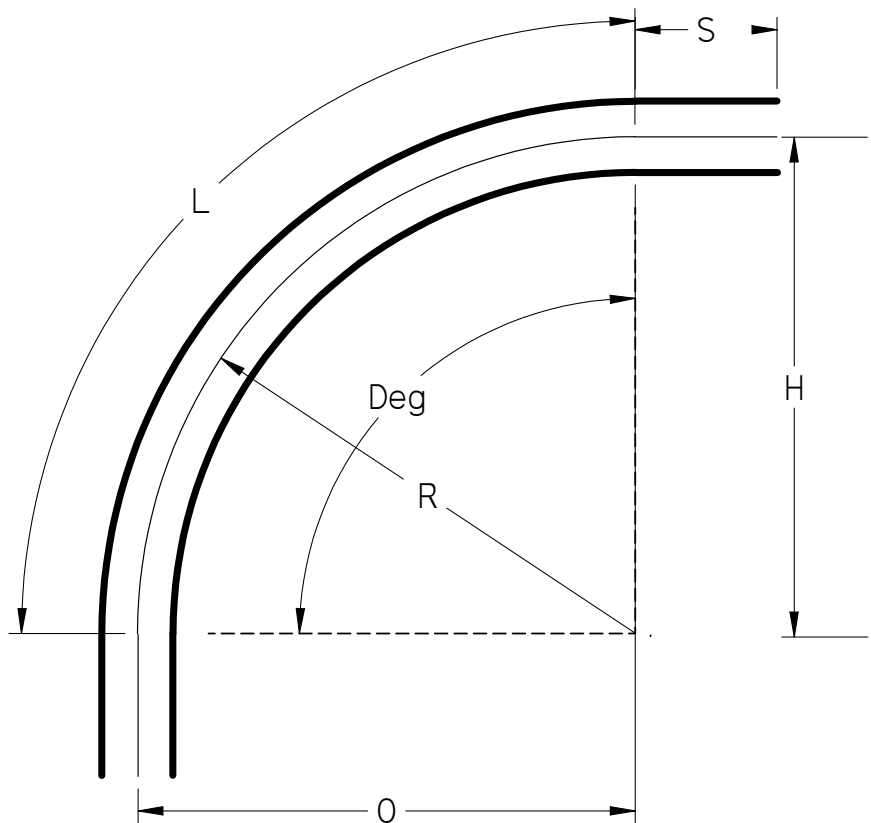
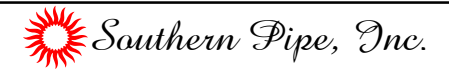


| Part Number | Size   | Deg | R  | O  | H  | S Min  | L    |
|-------------|--------|-----|----|----|----|--------|------|
| 42408       | 3/4"   | 90° | 36 | 36 | 36 | 1.5"   | 56.5 |
| 42410       | 1"     | 90° | 36 | 36 | 36 | 1.875" | 56.5 |
| 42412       | 1 1/4" | 90° | 36 | 36 | 36 | 2"     | 56.5 |
| 42415       | 1 1/2" | 90° | 36 | 36 | 36 | 2"     | 56.5 |
| 42420       | 2"     | 90° | 36 | 36 | 36 | 2"     | 56.5 |
| 42425       | 2 1/2" | 90° | 36 | 36 | 36 | 3"     | 56.5 |
| 42430       | 3"     | 90° | 36 | 36 | 36 | 3.125" | 56.5 |
| 42435       | 3 1/2" | 90° | 36 | 36 | 36 | 3.25"  | 56.5 |
| 42440       | 4"     | 90° | 36 | 36 | 36 | 3.375" | 56.5 |
| 42450       | 5"     | 90° | 36 | 36 | 36 | 3.625" | 56.5 |
| 42460       | 6"     | 90° | 36 | 36 | 36 | 3.75"  | 56.5 |



UL Listed 651  
 NEMA TC3  
 See NEC Article 352 for Usage



90° Elbows Plain End Schedule 40 Standard Radius

UNLESS OTHERWISE SPECIFIED  
 DIMENSIONS ARE IN INCHES  
 ANGLES ±2.0°

|                                   | NAME        | DATE     |
|-----------------------------------|-------------|----------|
| DRAWN                             | K. Mitchell | 03/27/13 |
| CHECKED                           |             |          |
| ENG APPR                          |             |          |
| FILE: 90 DEG SCH 40 36 RAD PE.dft | REV         | 10       |