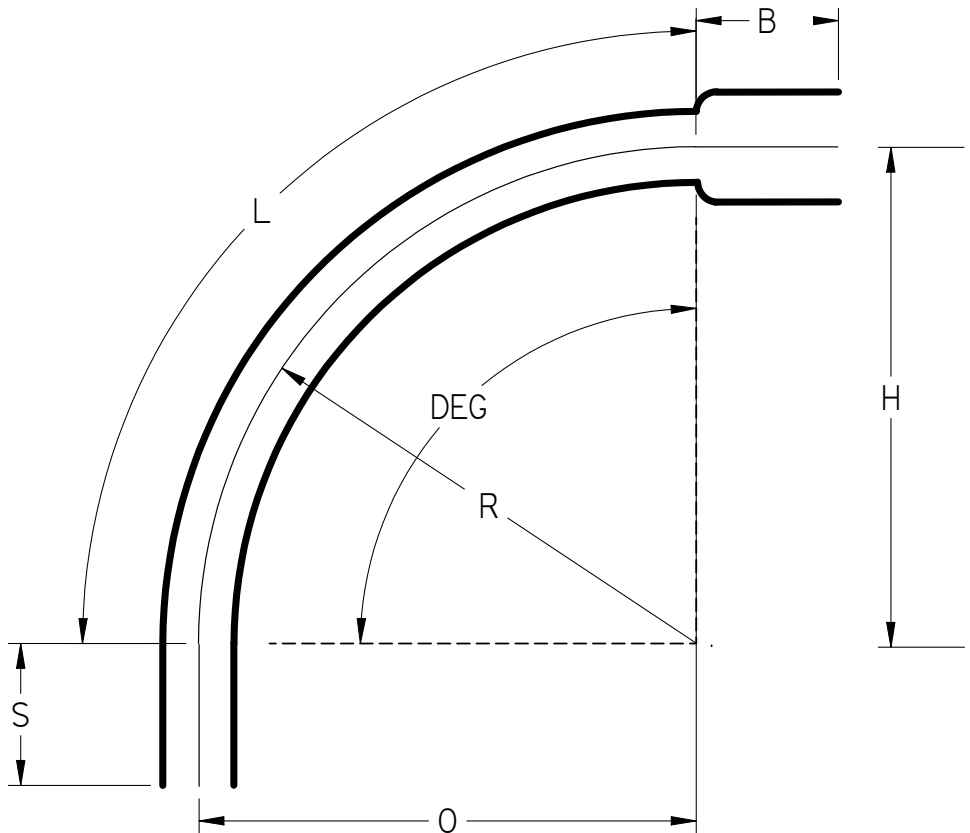


Part Number	Size	Deg	R	O	H	S Min	B Min	L
24920	2"	90°	60	60	60	2"	1.75	94.25
24925	2 1/2"	90°	60	60	60	3"	3	94.25
24930	3"	90°	60	60	60	3.125"	2.875	94.25
24935	3 1/2"	90°	60	60	60	3.25"	3.125	94.25
24940	4"	90°	60	60	60	3.375"	3.375	94.25
24950	5"	90°	60	60	60	3.625"	4	94.25
24960	6"	90°	60	60	60	3.75"	5	94.25



Ⓢ Listed 651  
 NEMA TC3  
 See NEC Article 352 for Usage



90° Elbows Belled End Schedule 40 60" Radius

UNLESS OTHERWISE SPECIFIED  
 DIMENSIONS ARE IN INCHES  
 ANGLES ±2.0°

	NAME	DATE
DRAWN	K. Mitchell	03/28/13
CHECKED		
ENG APPR		
FILE: 90 DEG SCH 40 60 RAD BE.dft		REV 10