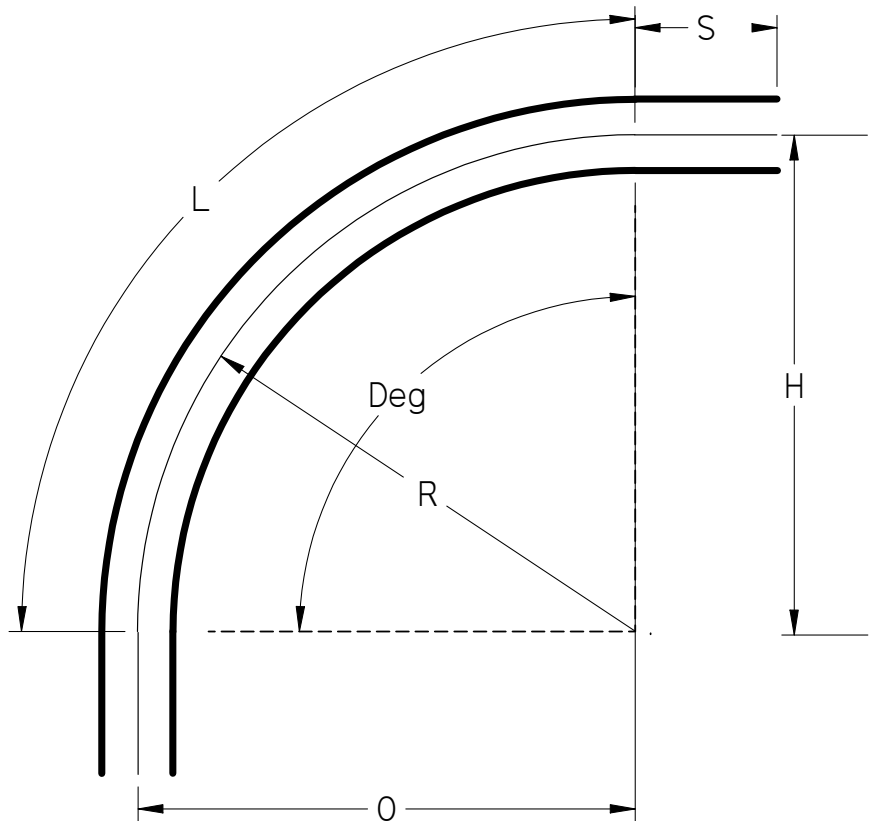
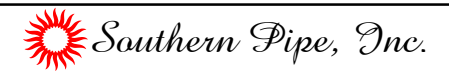


Part Number	Size	Deg	R	O	H	S Min	L
48720	2"	90°	60	60	60	2"	94.25
48725	2 1/2"	90°	60	60	60	3"	94.25
48730	3"	90°	60	60	60	3.125"	94.25
48735	3 1/2"	90°	60	60	60	3.25"	94.25
48740	4"	90°	60	60	60	3.375"	94.25
48750	5"	90°	60	60	60	3.625"	94.25
48760	6"	90°	60	60	60	3.75"	94.25



Ⓢ Listed 651  
 NEMA TC3  
 See NEC Article 352 for Usage



90° Elbows Plain End Schedule 40 60' Radius

UNLESS OTHERWISE SPECIFIED  
 DIMENSIONS ARE IN INCHES  
 ANGLES ±2.0°

	NAME	DATE
DRAWN	K. Mitchell	03/27/13
CHECKED		
ENG APPR		
FILE: 90 DEG SCH 40 60 RAD PE.dft		REV 10